

تم تحميل هذا الملف من موقع المناهج الإماراتية



almanahj.com

موقع
المناهج الإماراتية

*للحصول على أوراق عمل لجميع الصفوف وجميع المواد اضغط هنا

<https://almanahj.com/ae>

* للحصول على أوراق عمل لجميع مواد الصف الحادي عشر اضغط هنا <https://almanahj.com/ae/11design>

* للحصول على جميع أوراق الصف الحادي عشر في مادة تصميم ولجميع الفصول، اضغط هنا

<https://almanahj.com/ae/11design>

* للحصول على أوراق عمل لجميع مواد الصف الحادي عشر في مادة تصميم الخاصة بـ الفصل الثاني اضغط هنا

<https://almanahj.com/ae/11design2>

* لتحميل كتب جميع المواد في جميع الفصول للـ الصف الحادي عشر اضغط هنا <https://almanahj.com/ae/grade11>

للتحدث إلى بوت المناهج على تلغرام: اضغط هنا [bot_almanahj/me.t//:https](https://t.me/bot_almanahj)



STUDENT SECTION					
Name				Class	
Student MOE number (SIS)		School MOE Number		STUDENT SIGNATURE	
School name					

Creative Design & Innovation
11 General
Term 2 Examination
Date: 7TH March 2018
Time: 10 – 10.35 am
Duration: 35 minutes

FOR ADMIN ONLY	
MARKING RECORD	
Section	Section TOTALS
Section 1	
Section 2	
Section 3	
MARKER SIGNATURE	TOTAL MARKS
MODERATOR SIGNATURE	

<p>STUDENT INSTRUCTIONS – Students must attempt all questions. For this examination, you must have:</p> <ol style="list-style-type: none"> 1. An ink pen – blue. 2. A pencil. 3. A ruler.
--

<p>TEACHER NOTES & INSTRUCTIONS</p> <p>Please tick ✓ the correct answers in RED INK and then write the mark awarded in the marking columns. With multiple mark answers highlight where the mark is awarded by underlining or by using an extra tick.</p>

SECTION 1 – Multiple choice

Choose and circle the correct answer – A, B, C or D.

(1 mark each)

Example: An electrical component which opens or closes a circuit.

- A. speaker
- B. bulb
- C. switch
- D. battery

1. In a series circuit _____.
 - A. the same current flows through each component
 - B. the current flows in multiple paths
 - C. the current varies in each component
 - D. the resistance is directly proportional to the current
2. Which component below has no positive or negative terminals?
 - A. battery
 - B. capacitor
 - C. LED
 - D. resistor
3. The term anthropometrics is the study of _____.
 - A. drawings
 - B. hydraulics
 - C. human measurements
 - D. architecture
4. 'Environmental impact' is _____.
 - A. the direct impact of a product on clients
 - B. how the actions of people affect the world around them
 - C. about giving a product more than one function
 - D. deciding how to make a product
5. A client profile is used to _____.
 - A. gather information about lifestyle, age, income etc.
 - B. get the client to say what product they want
 - C. ask the client what the design problem is
 - D. determine how much the product will cost

SECTION 2 – True or False

Choose and circle the correct answer TRUE or FALSE.

(1 mark each)

Example:

A dimension is a measurement.

TRUE

FALSE

1. A target market is the group at which a product is aimed.

TRUE

FALSE

2. Ergonomics is the study of financial transactions.

TRUE

FALSE

3. Biomimicry is design based on machines & technology.

TRUE

FALSE

4. A mood board is used to get design inspiration.

TRUE

FALSE

5. A specification is a list of criteria based on research.

TRUE

FALSE

/ 5

ADEC_Demo11

SECTION 3 – Gap Fill

1 – Complete the sentences below using **ONE** word for each.

(1 mark each)

Do not use the same word for more than one answer. **TWO** words will **NOT** be used.

plan

aesthetics

materials

annotation

prototype

modelling

assembly

a. A _____ is a model of the design.

b. Building a final product from more than one part can also be called _____.

c. The _____ of a product describes how a product looks.

d. Designers need to research and select suitable _____.

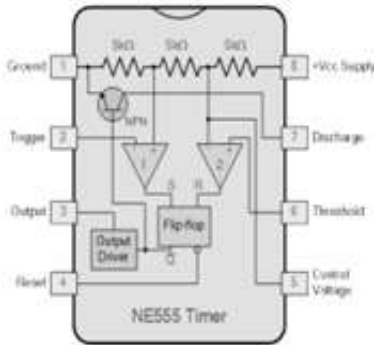
e. A final design should have _____ to help describe the features.

/ 5

SECTION 3 – Diagram & Schematic

2 – Study the **555 timer IC** below and answer the following questions.

fig 1



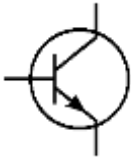
a – Why is this component in fig 1. called a 555 timer IC?

(2 marks)

b – Write TWO applications that the 555 timer IC is used in.

(2 marks)

fig 2



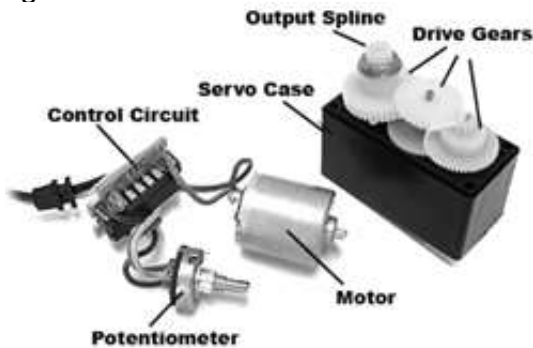
c – Identify the component symbol shown in fig 2.

(1 mark)

ADEC_Demo11

3 – Study the **Servo motor** shown below and answer the following questions.

fig 3



3a – State **ONE** function of a Servo motor?

(1 mark)

3b – What happens to the potentiometer when the motor rotates?

ADEC4

(2 marks)

3c - What does the control circuit do in a Servo Motor?

(2 marks)

/ 10

SECTION 3 – Matching

4 – Match the terms with their definition.

(5 marks)

Write the matching letter in the correct box. The first one has been done for you.

TERM	Symbol letter	Option	DEFINITION
Analysis	F	A	A shape memory alloy
Smart material		B	A text simplified and shown in visual form
Orthographic		C	reacts to the environment
Mood board		D	A 2D drawing of a 3D shape
Mind Map		E	A group of images & text used for inspiration
Nitinol		F	breaking down tasks to help understanding

You have now finished the examination.

/ 5
TOTAL
/ 30

ADEC4