

# 100 CAD Exercises

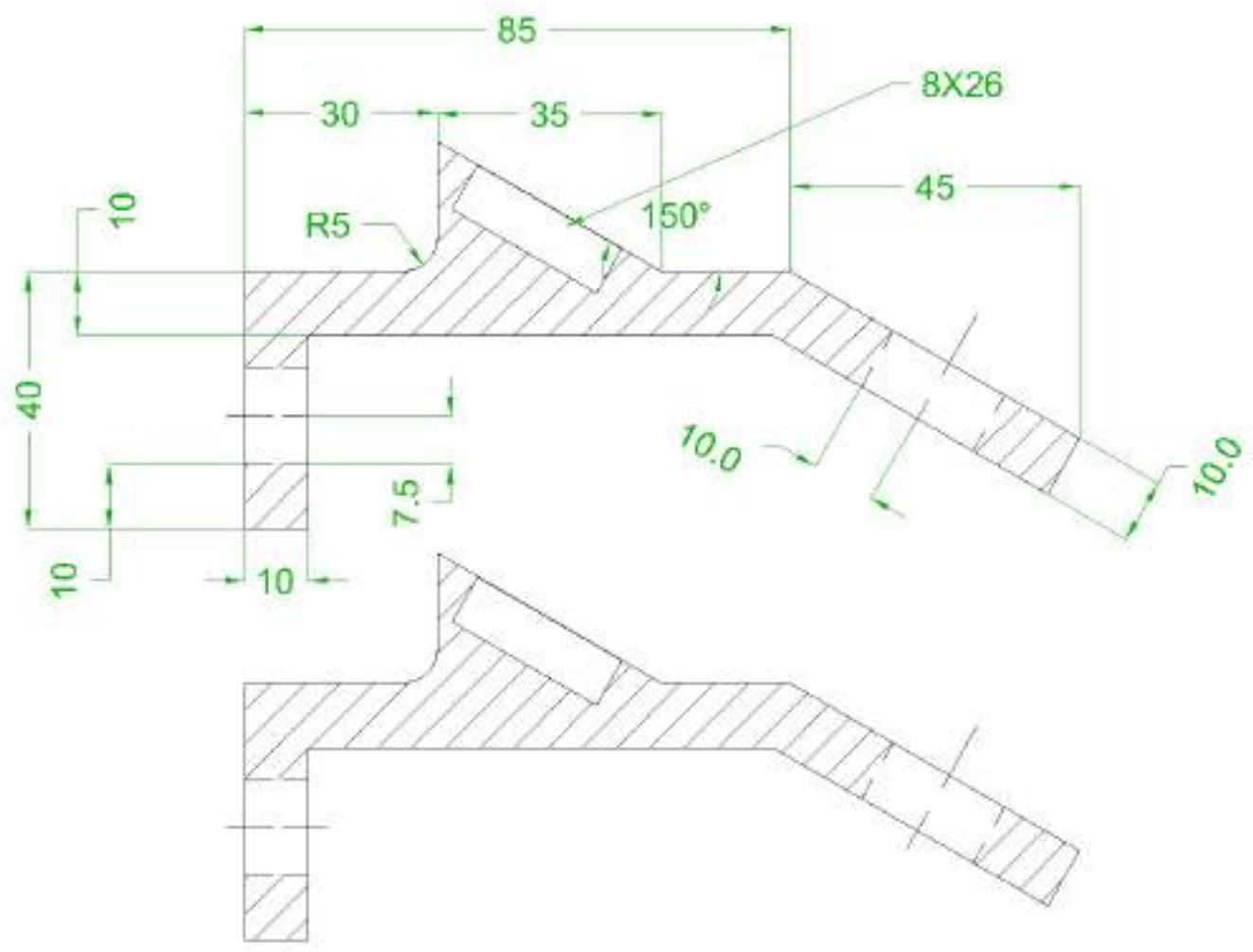
Beginners guide

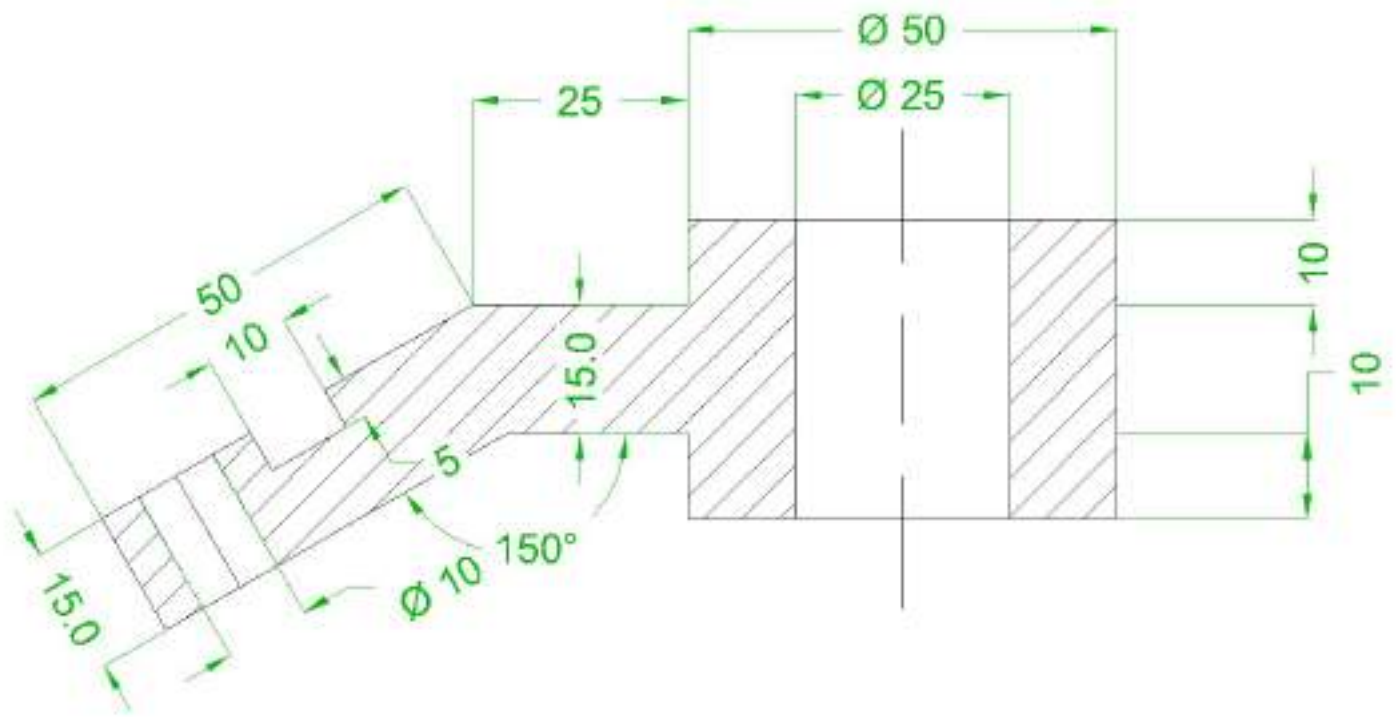
100 CAD Exercises

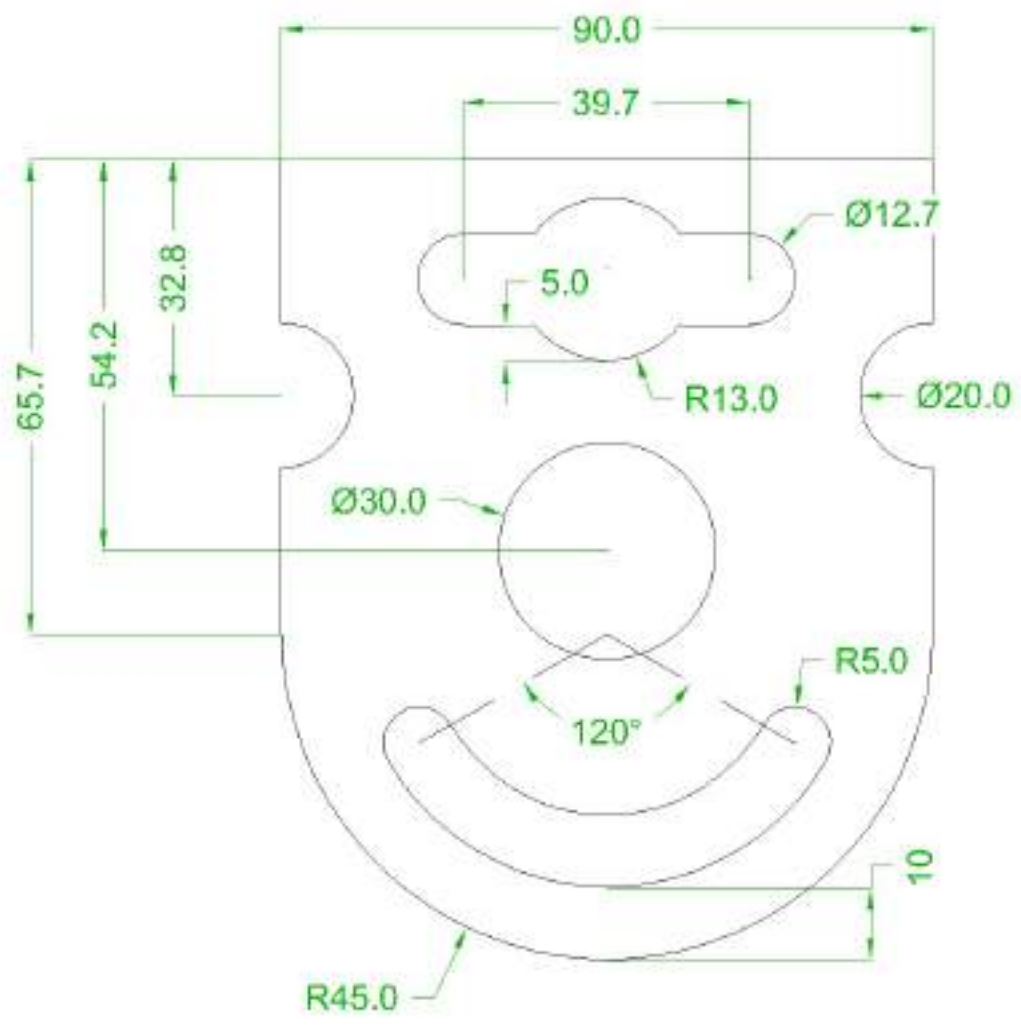


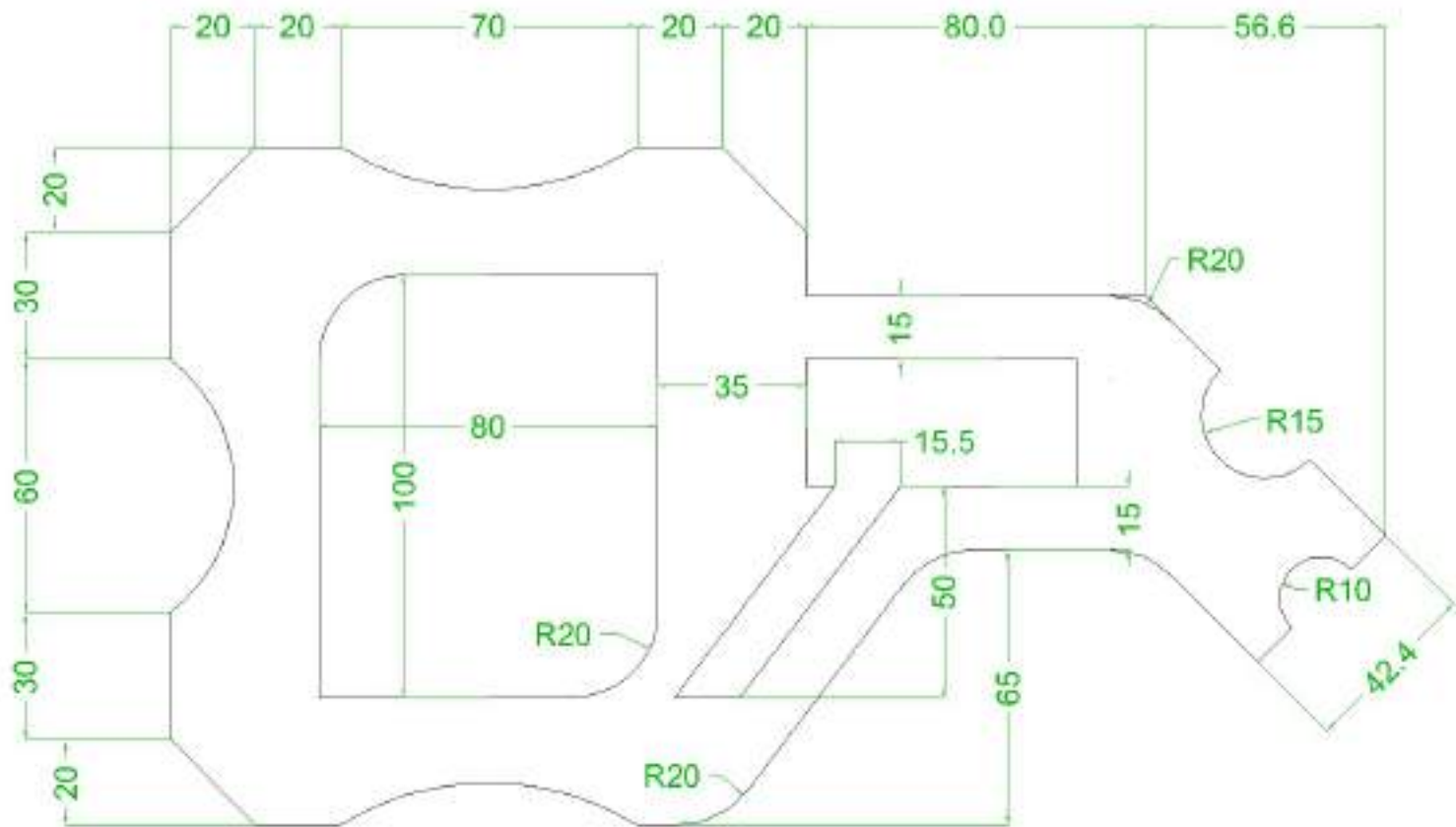
By 12CAD.com

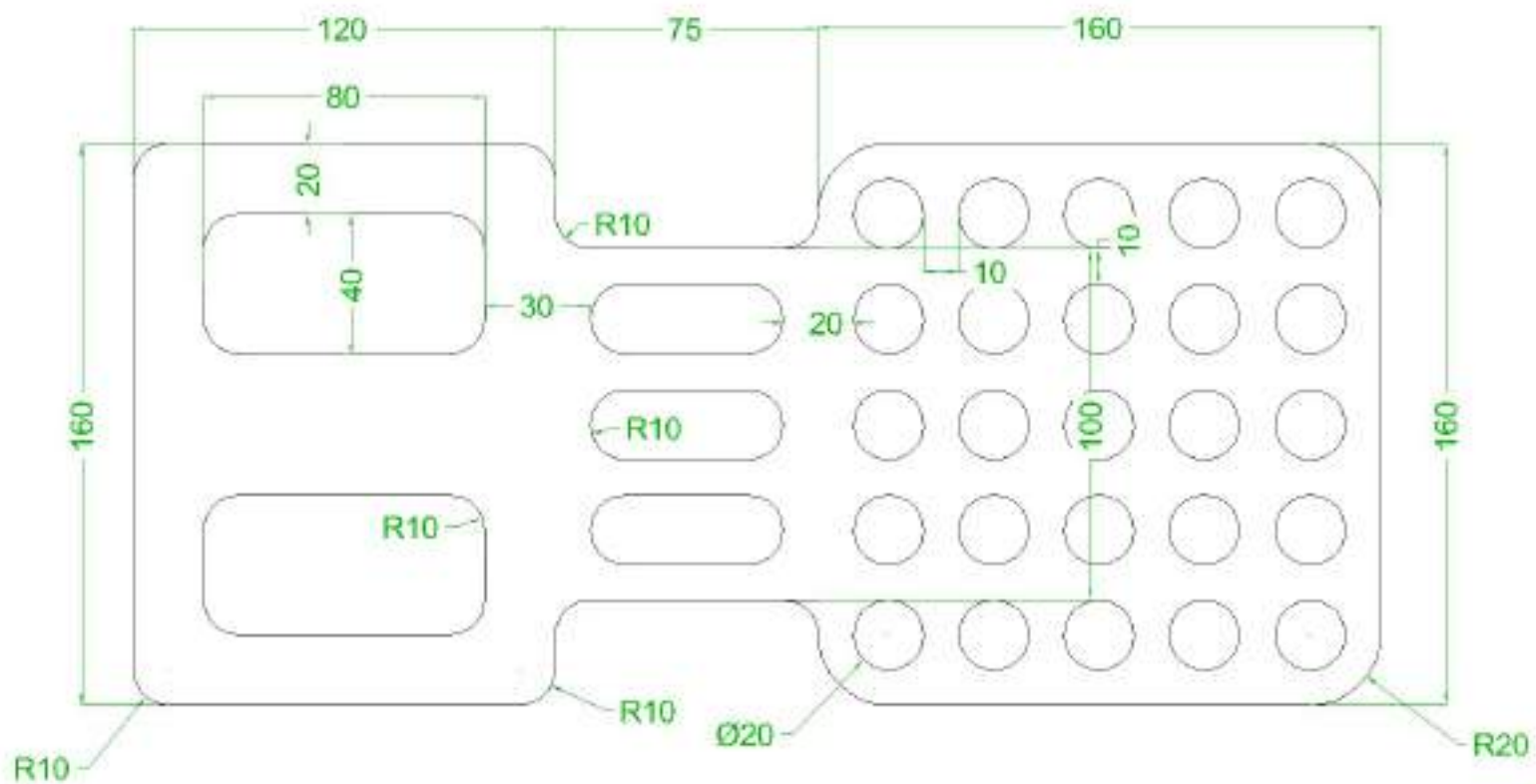
BA 12CAD.COM

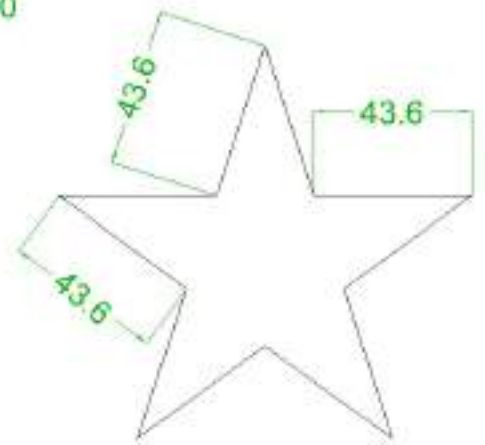
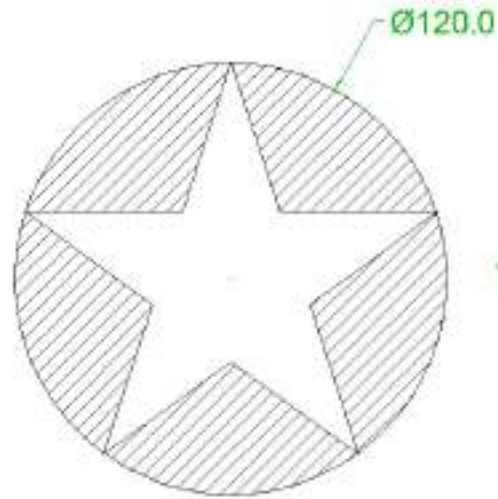
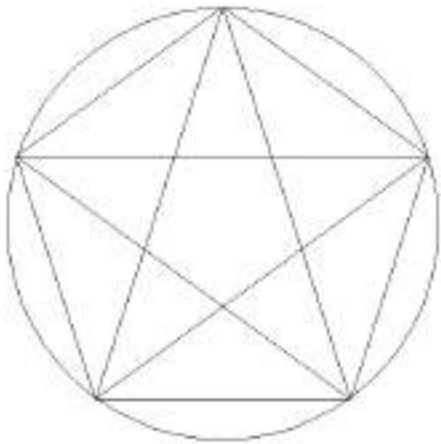
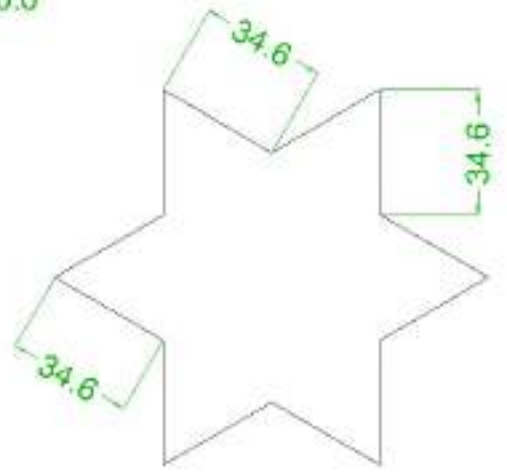
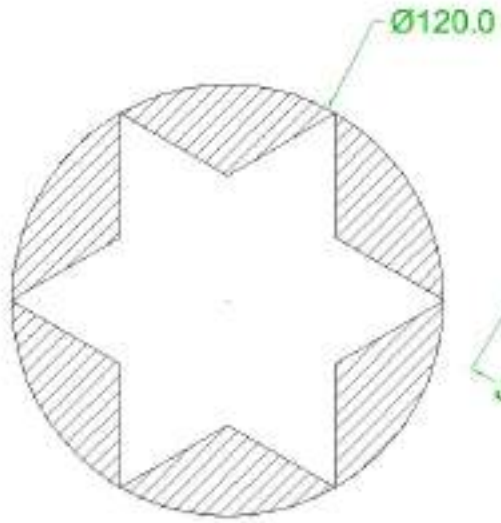
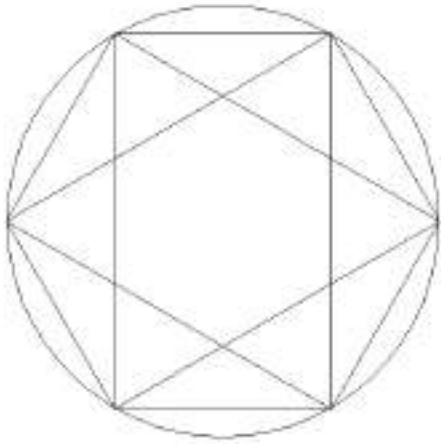


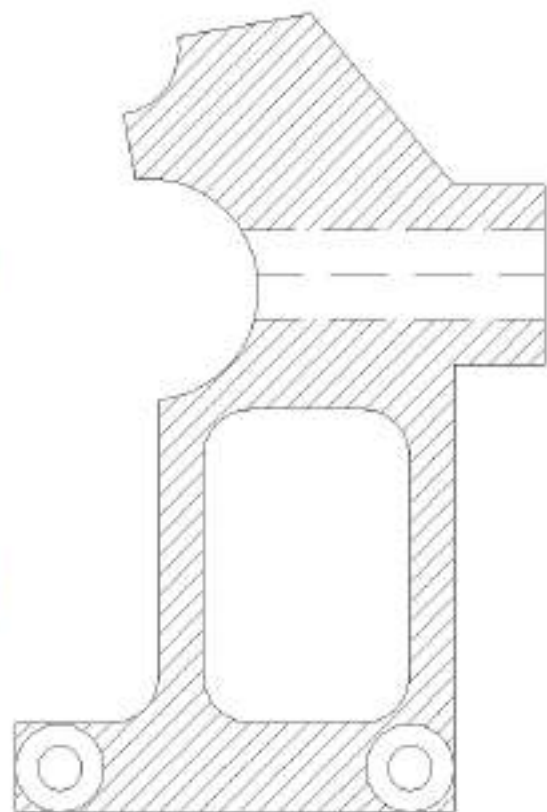
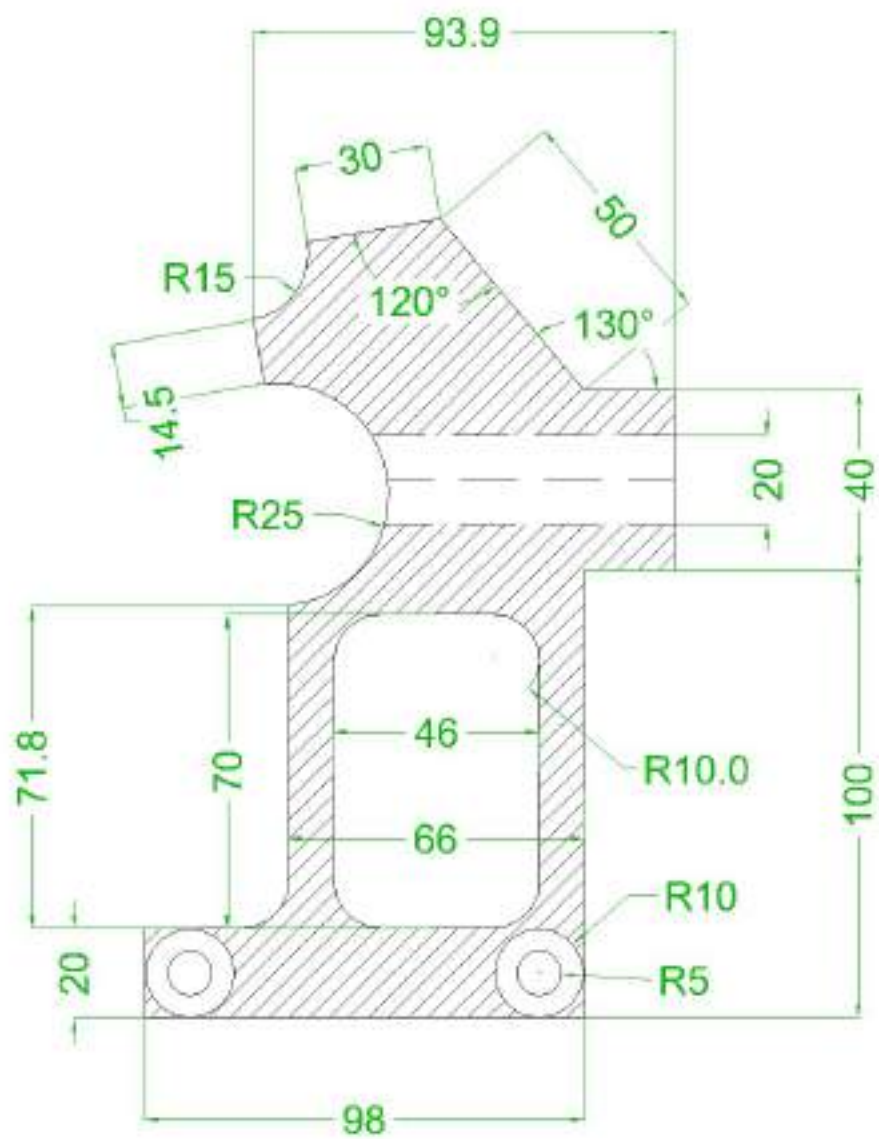




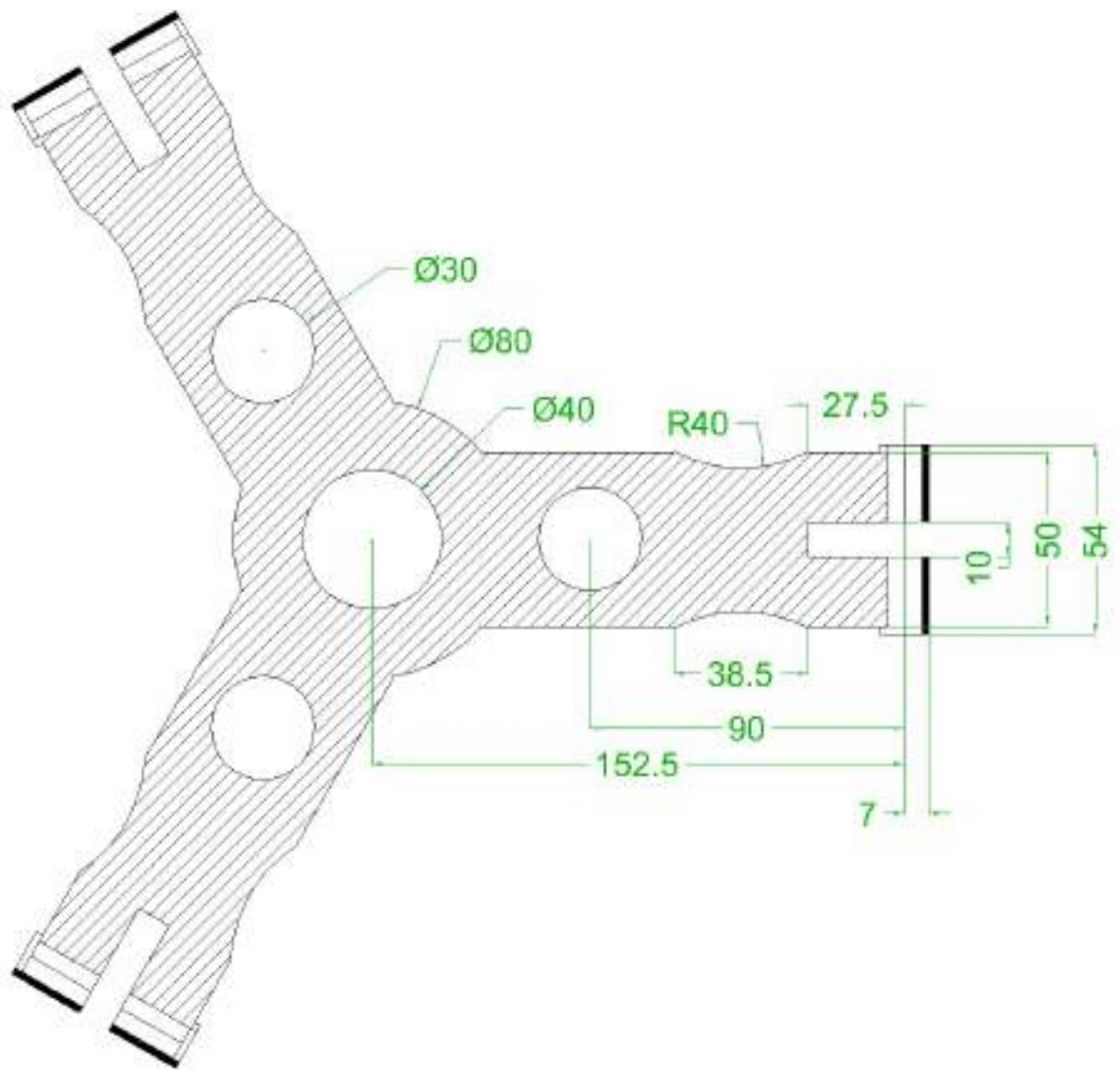




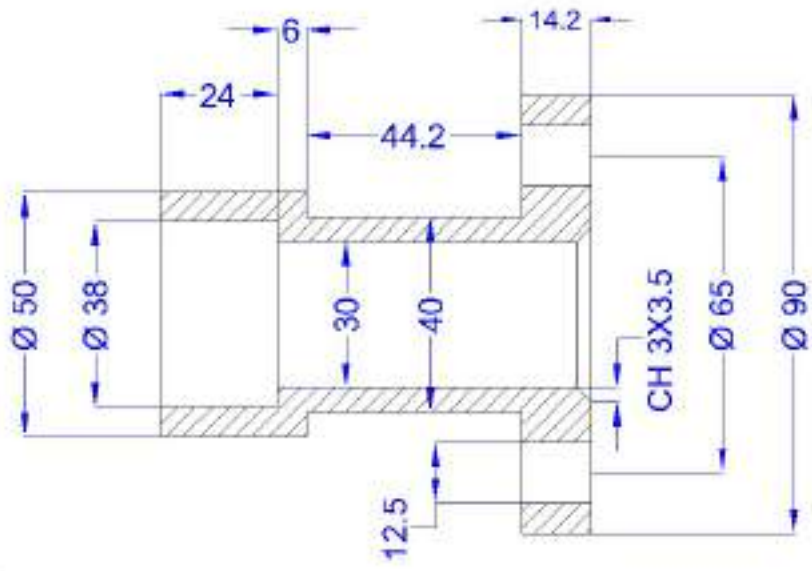


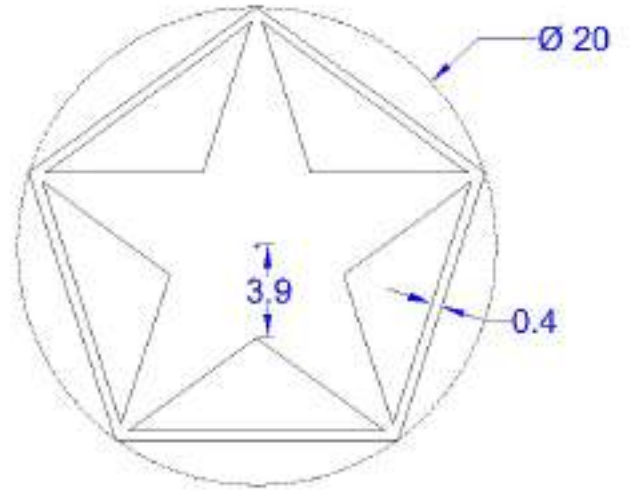
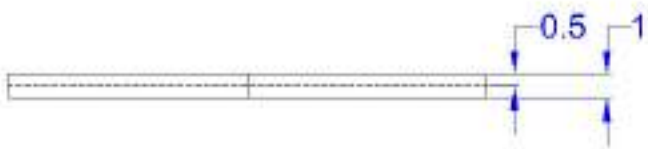


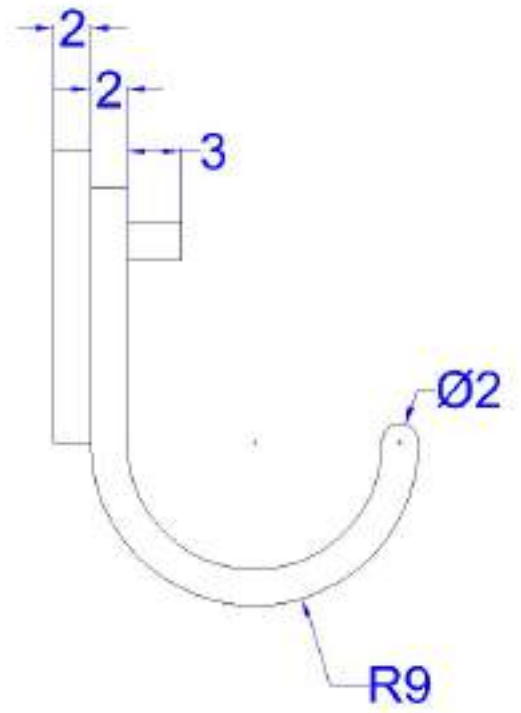
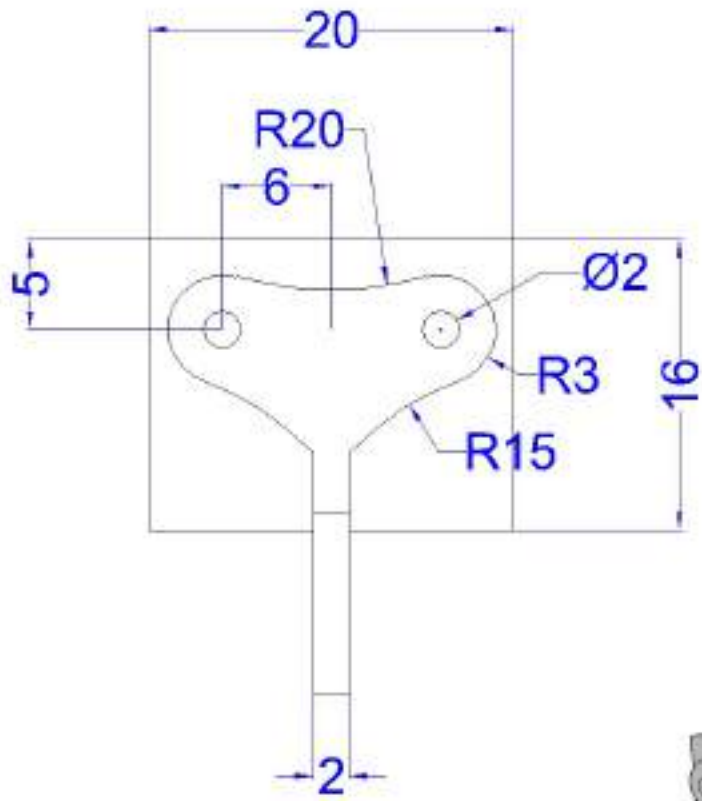


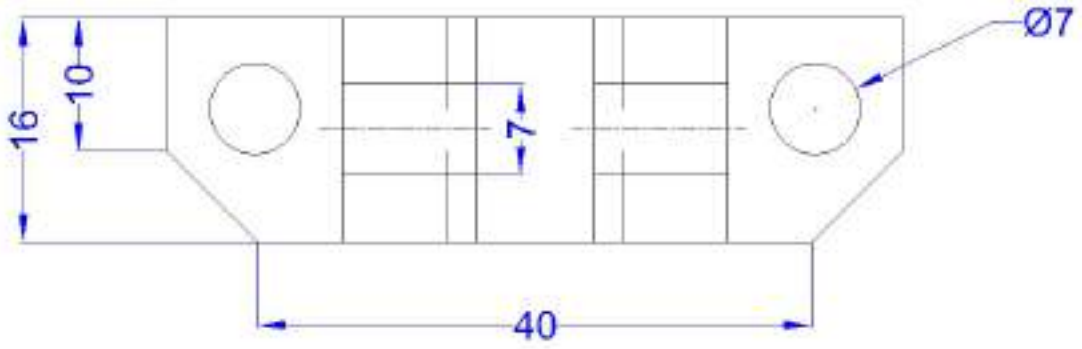
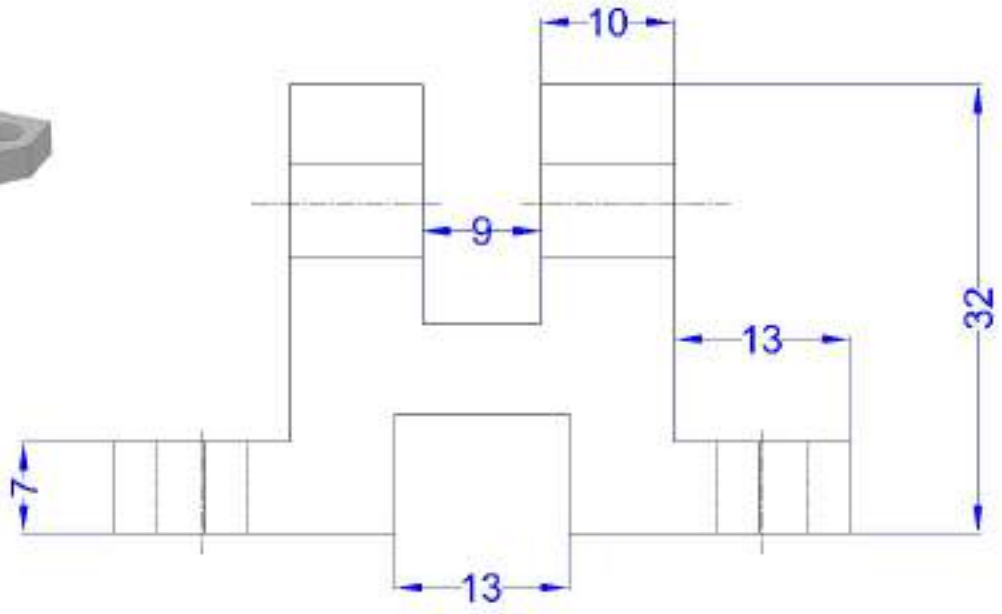
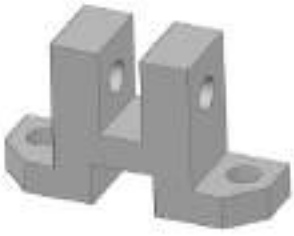


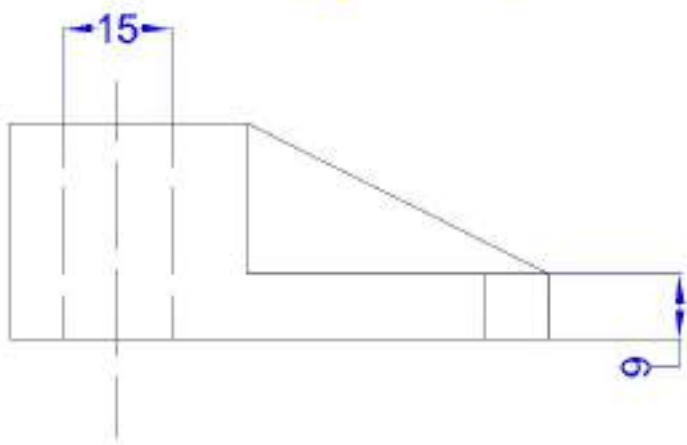
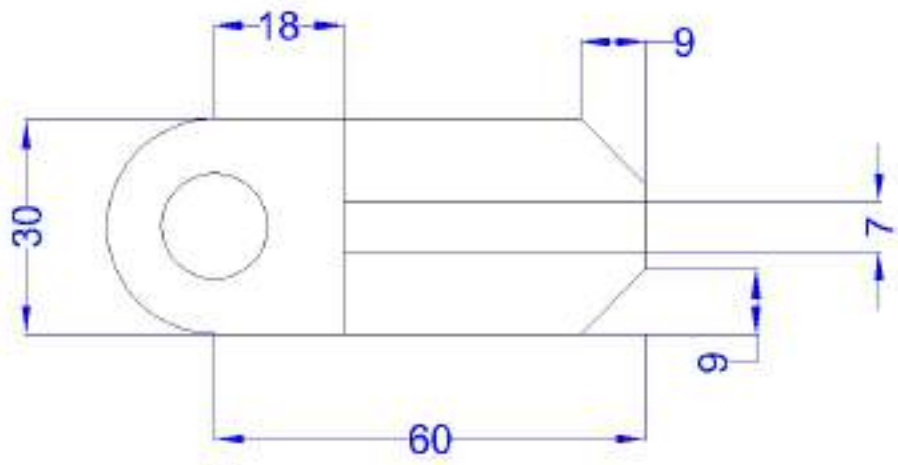
# 3D Exercises

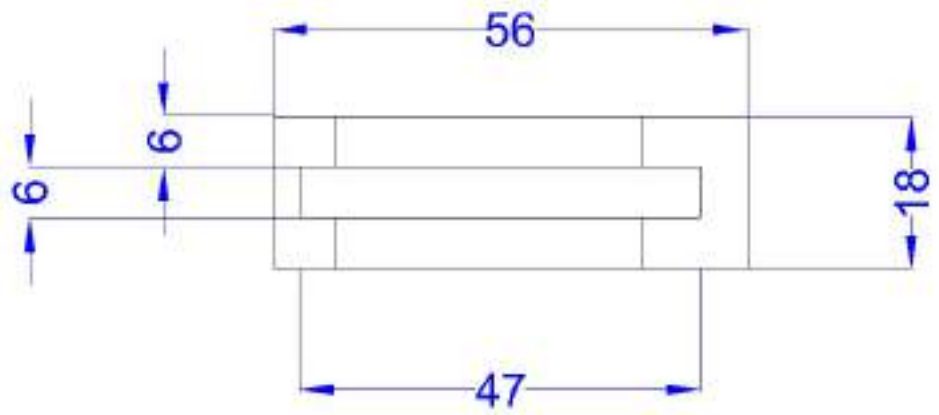
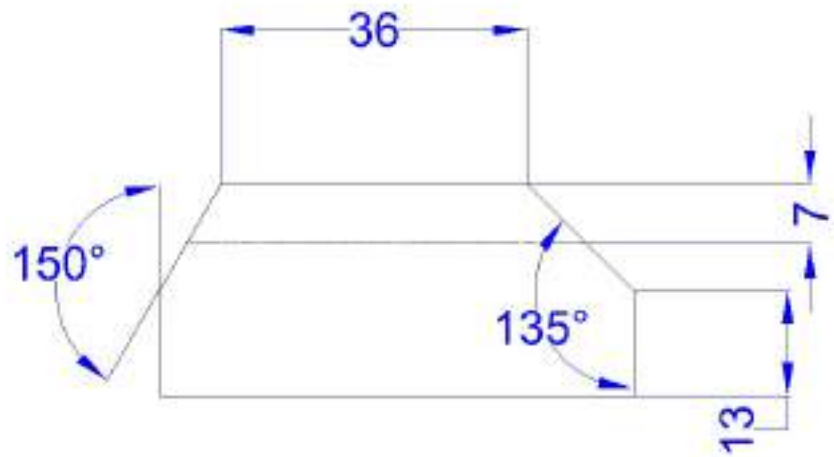




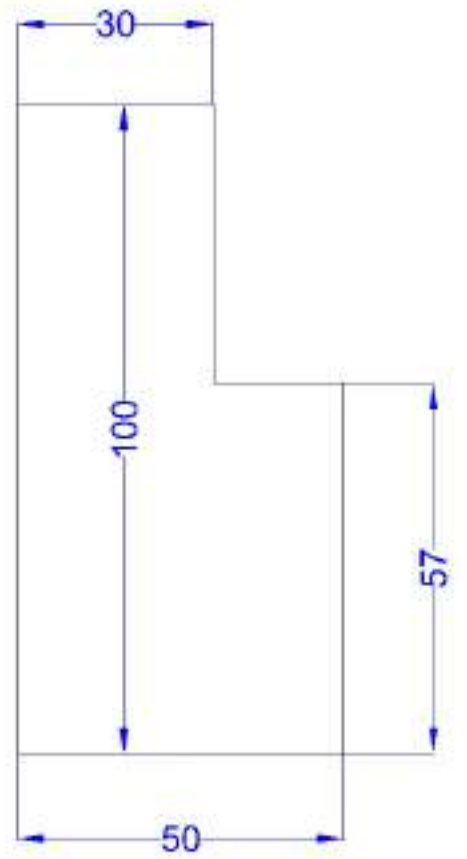
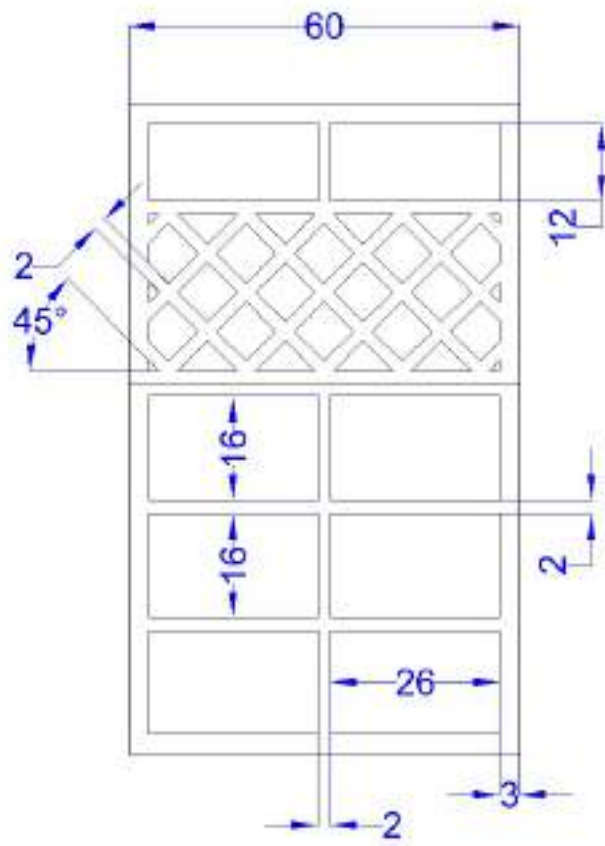


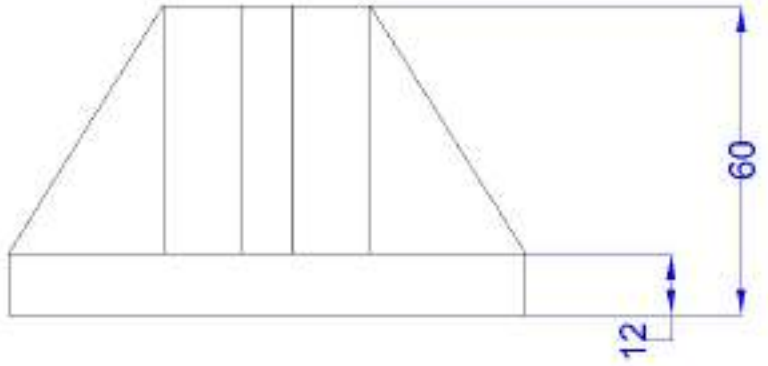
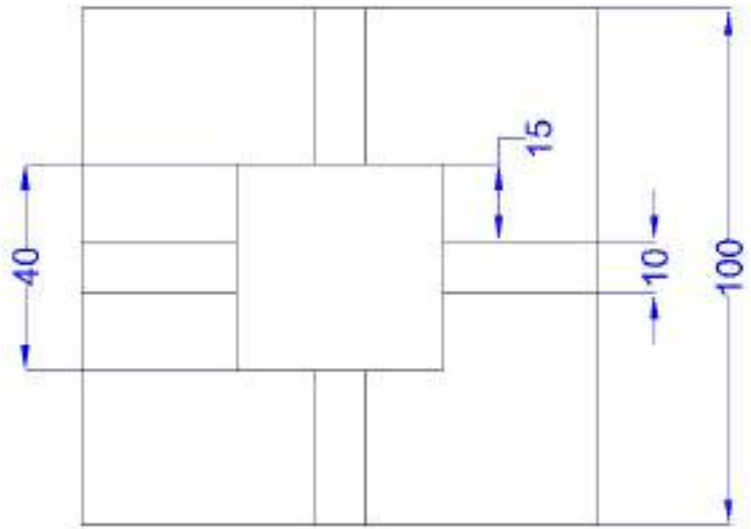


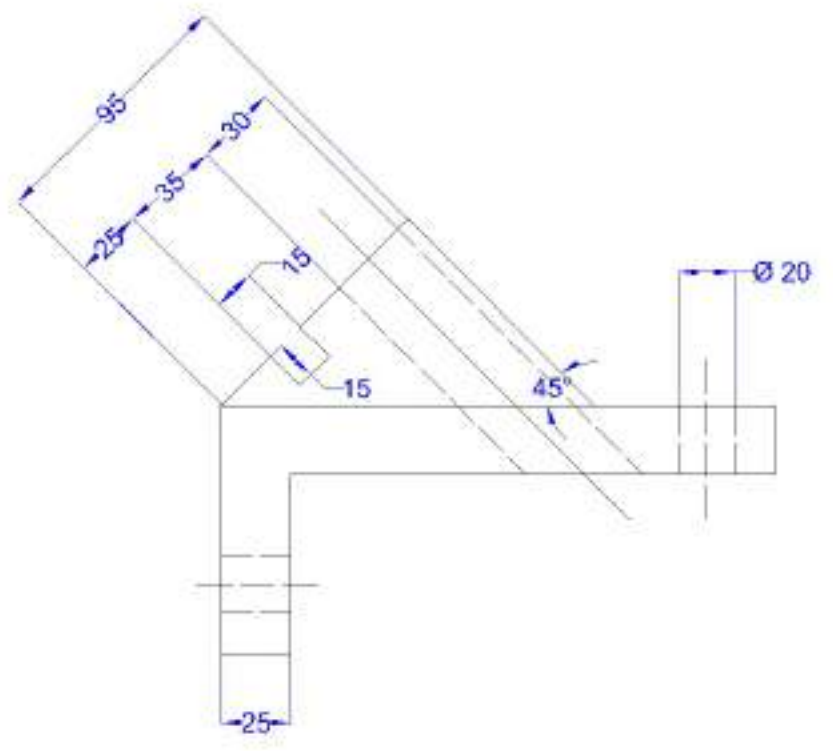
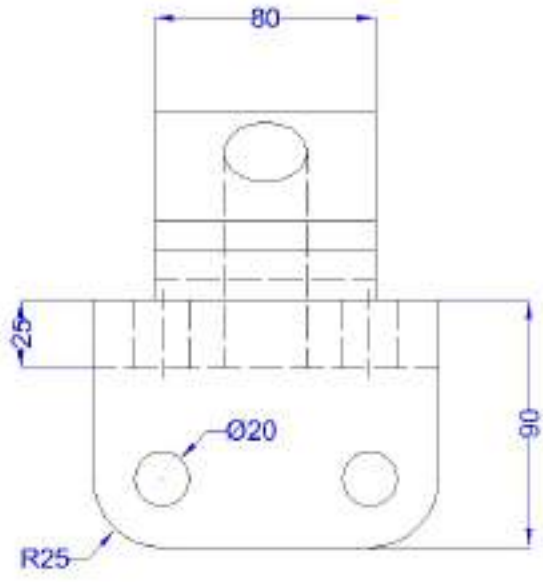


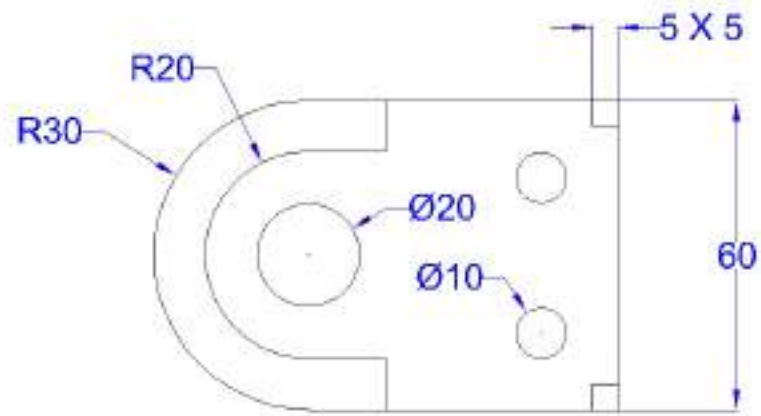
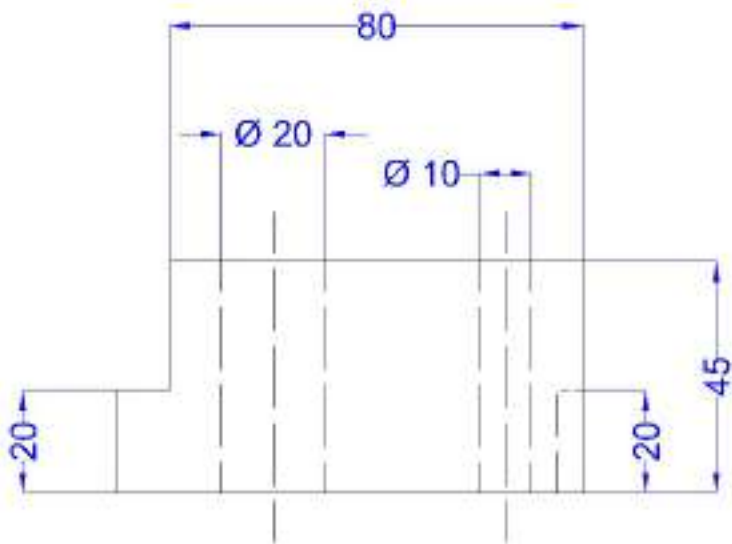


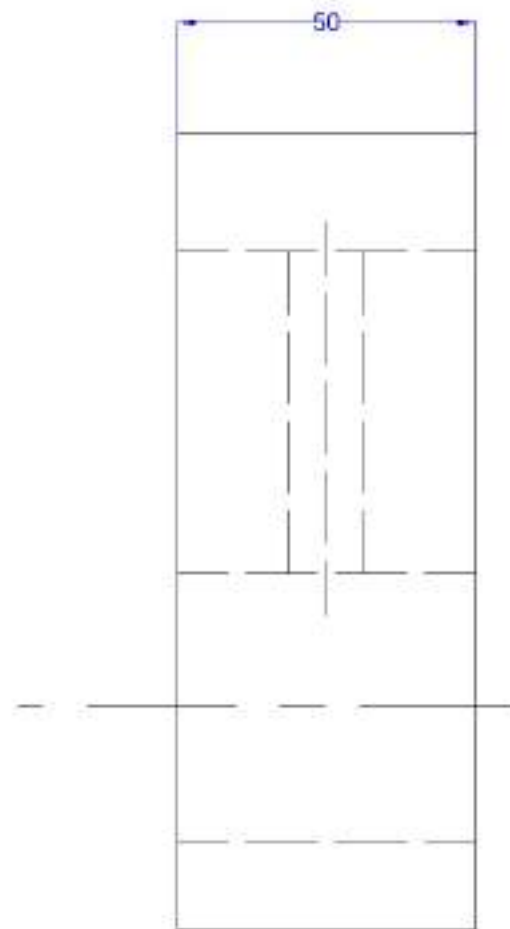
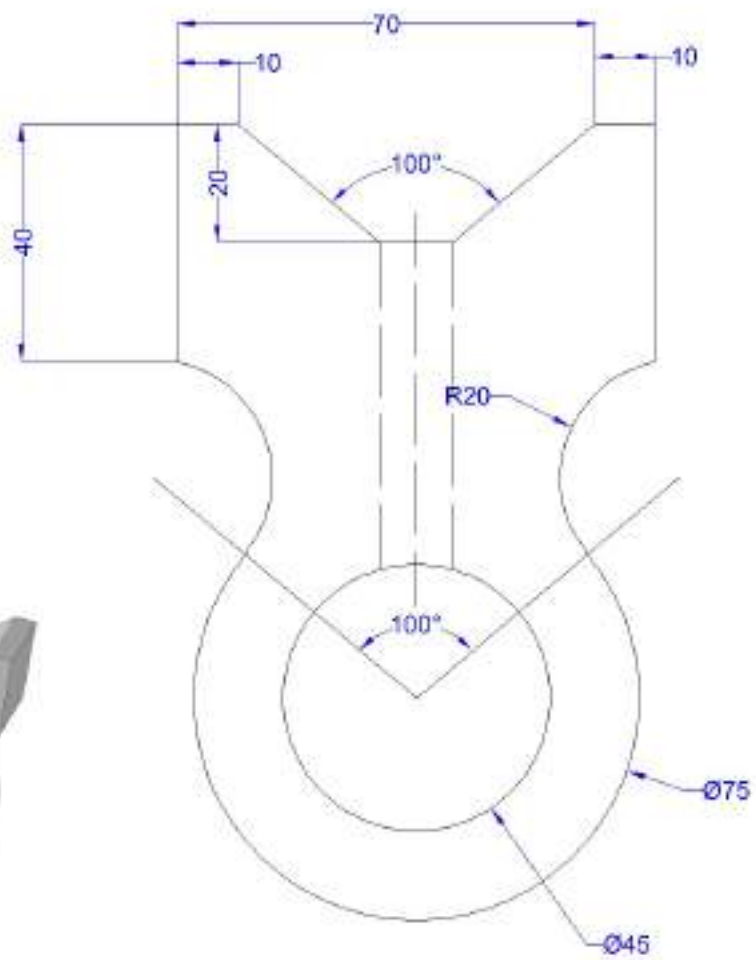


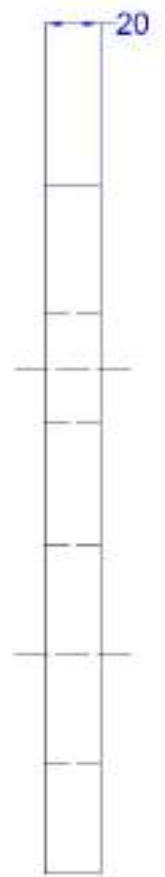
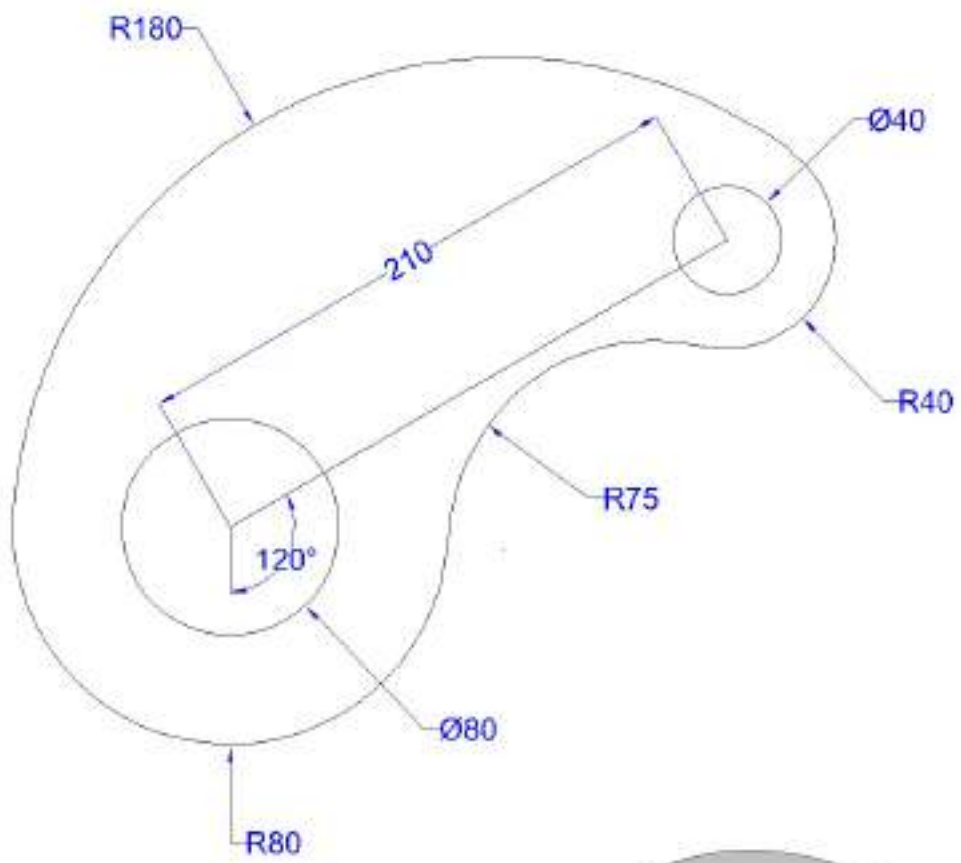


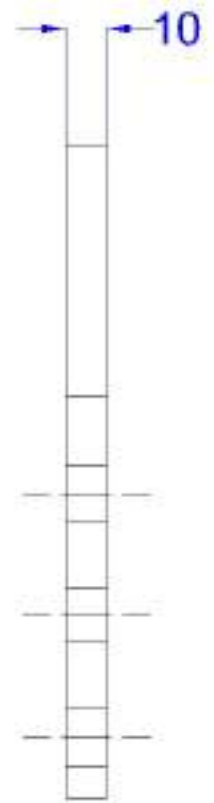
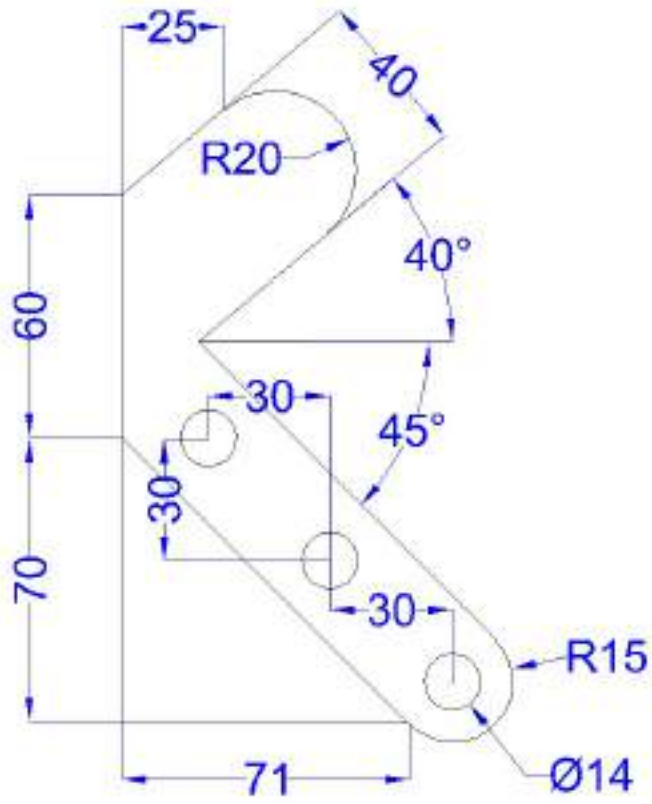


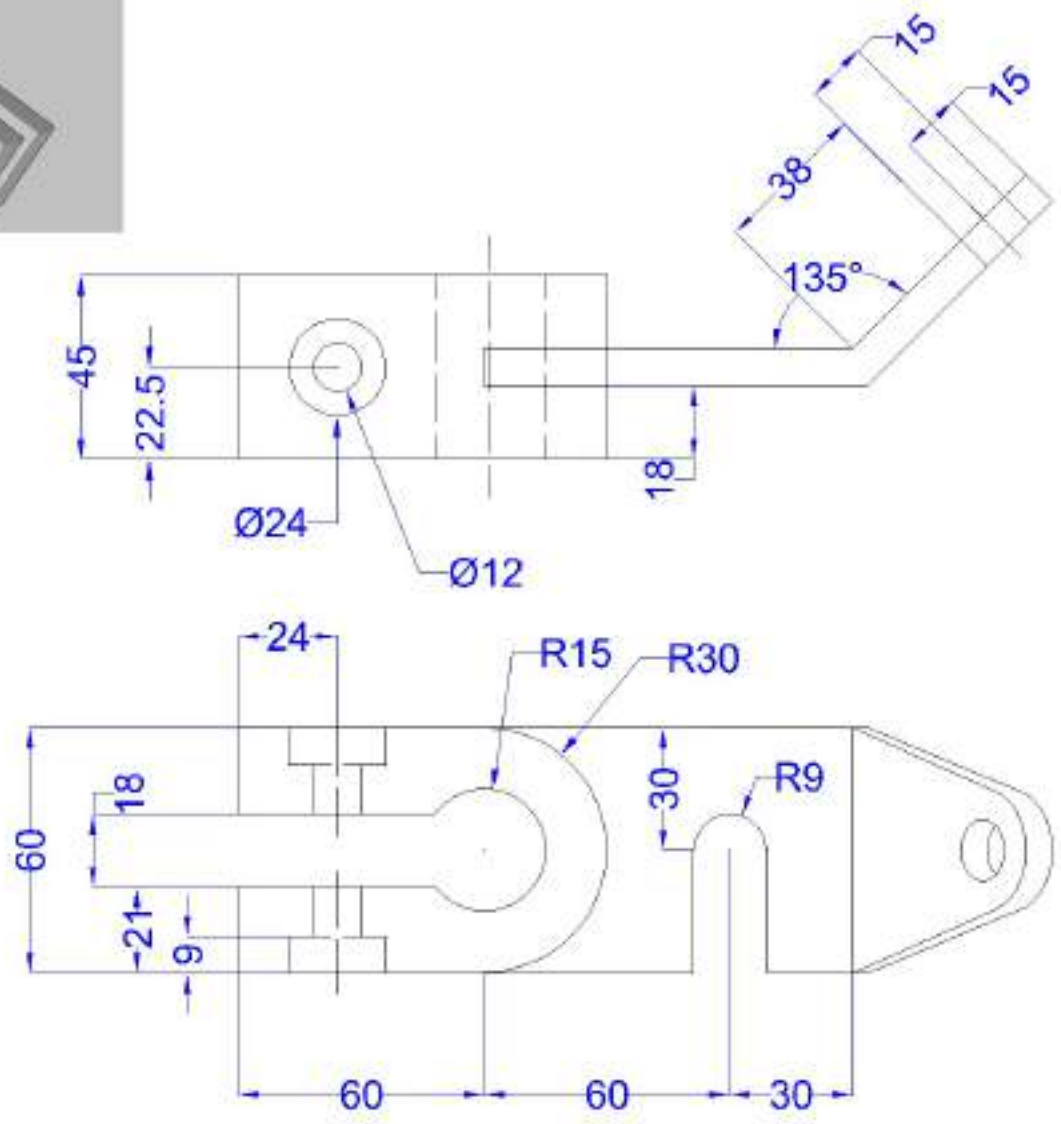




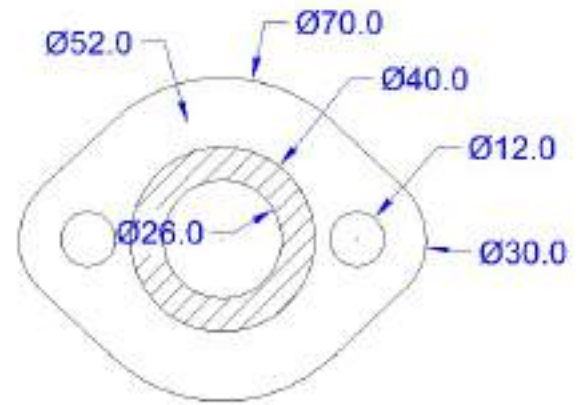
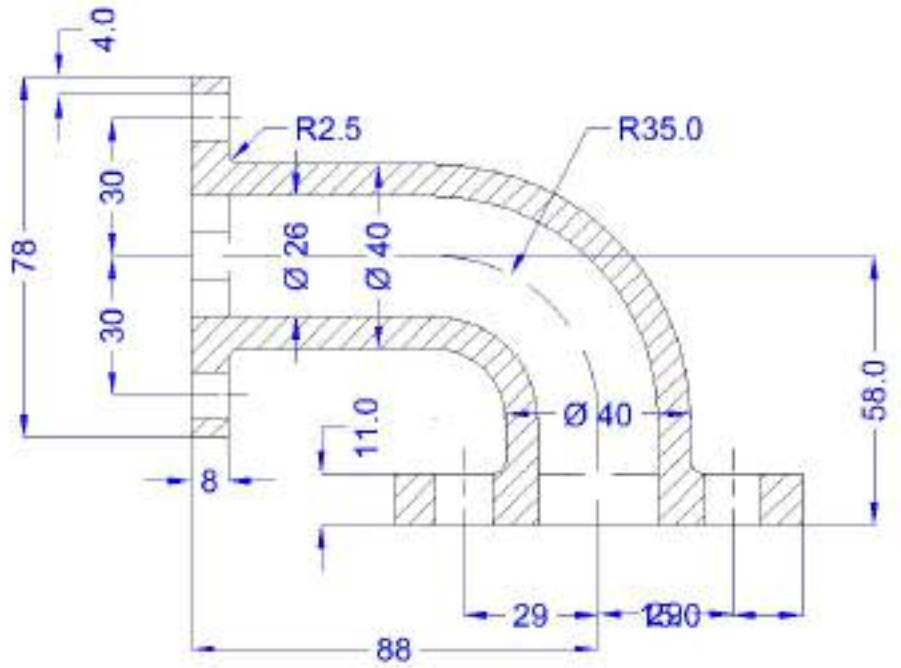
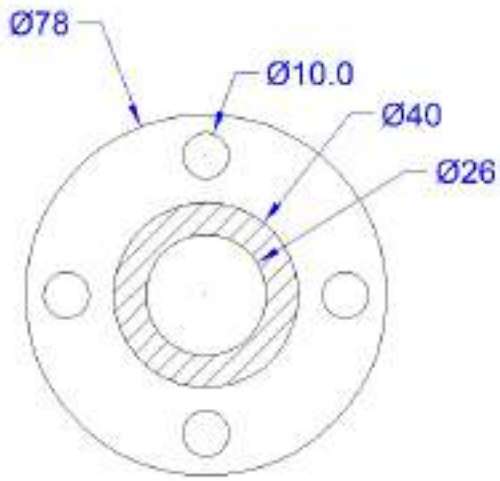


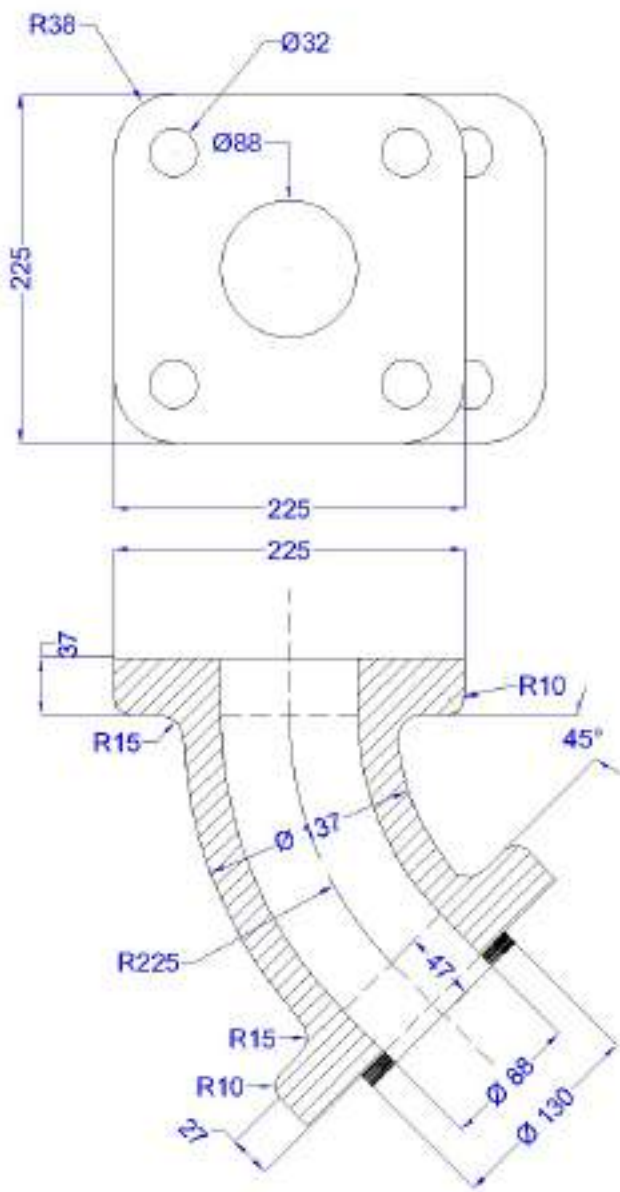


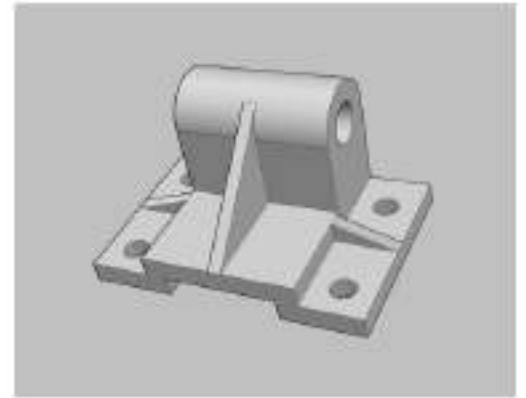
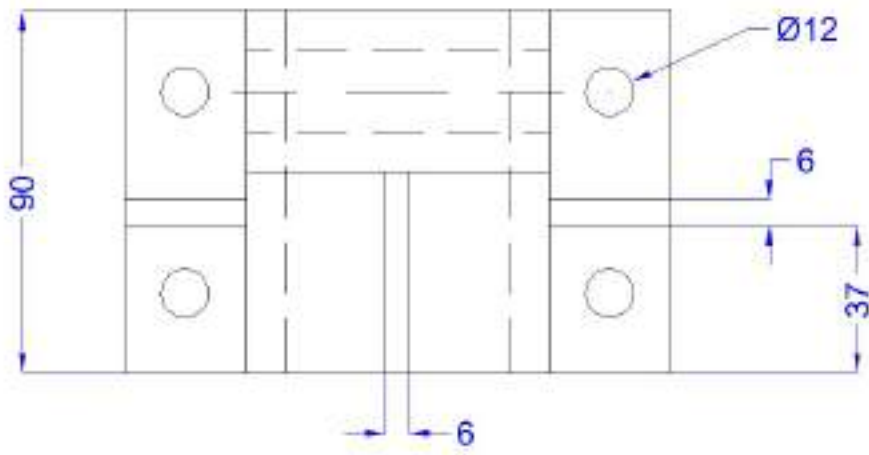
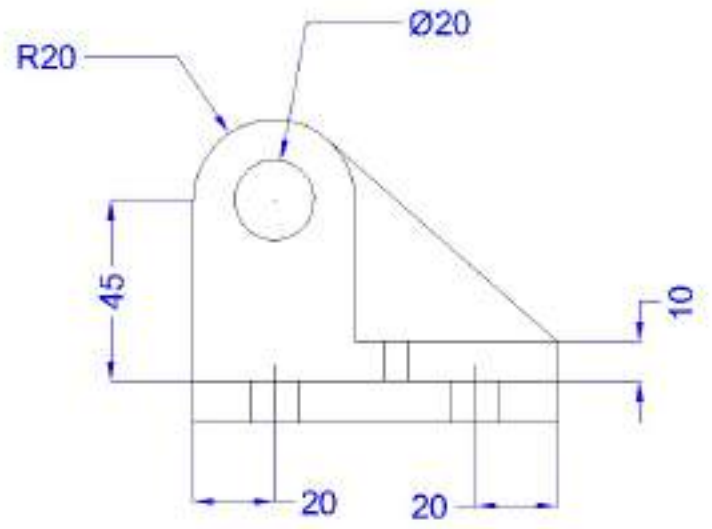
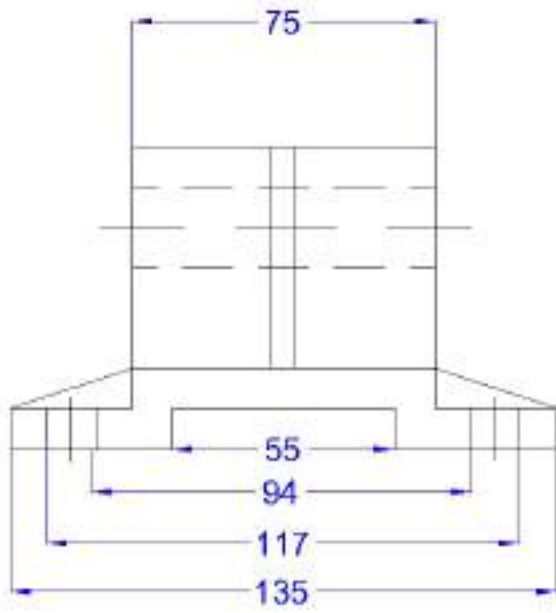


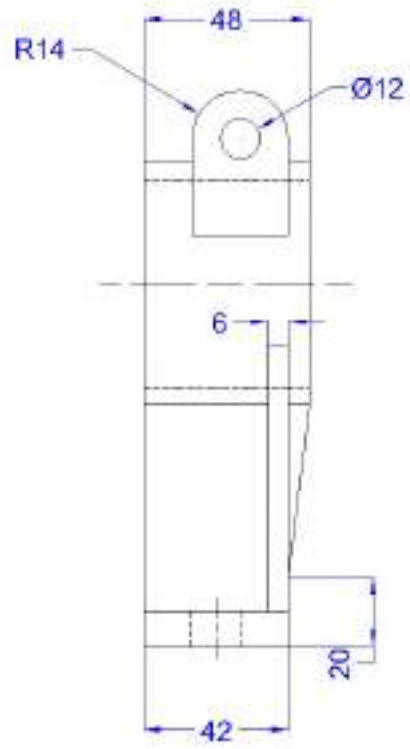
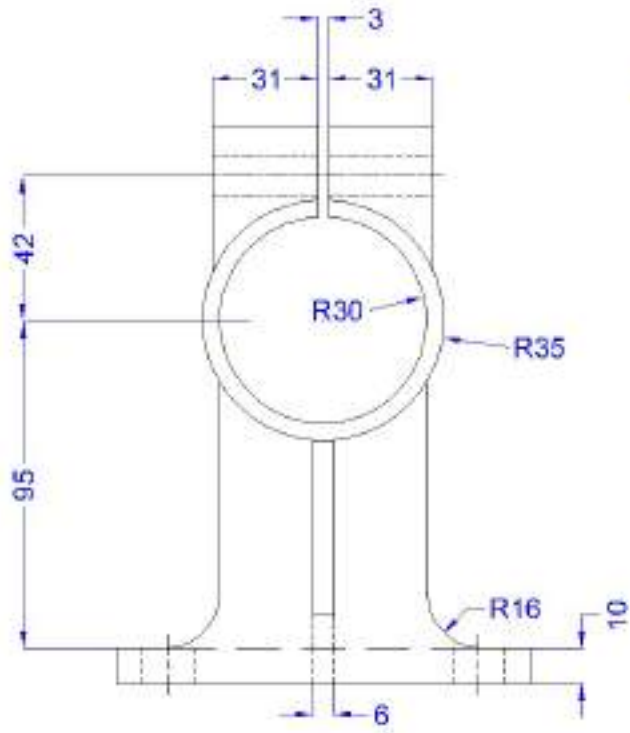
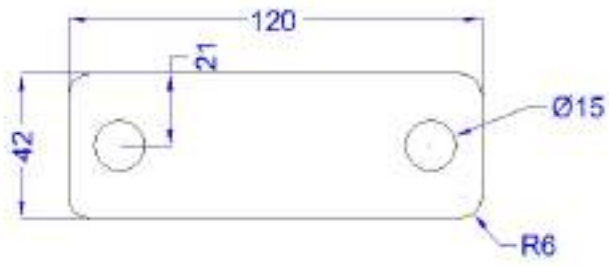


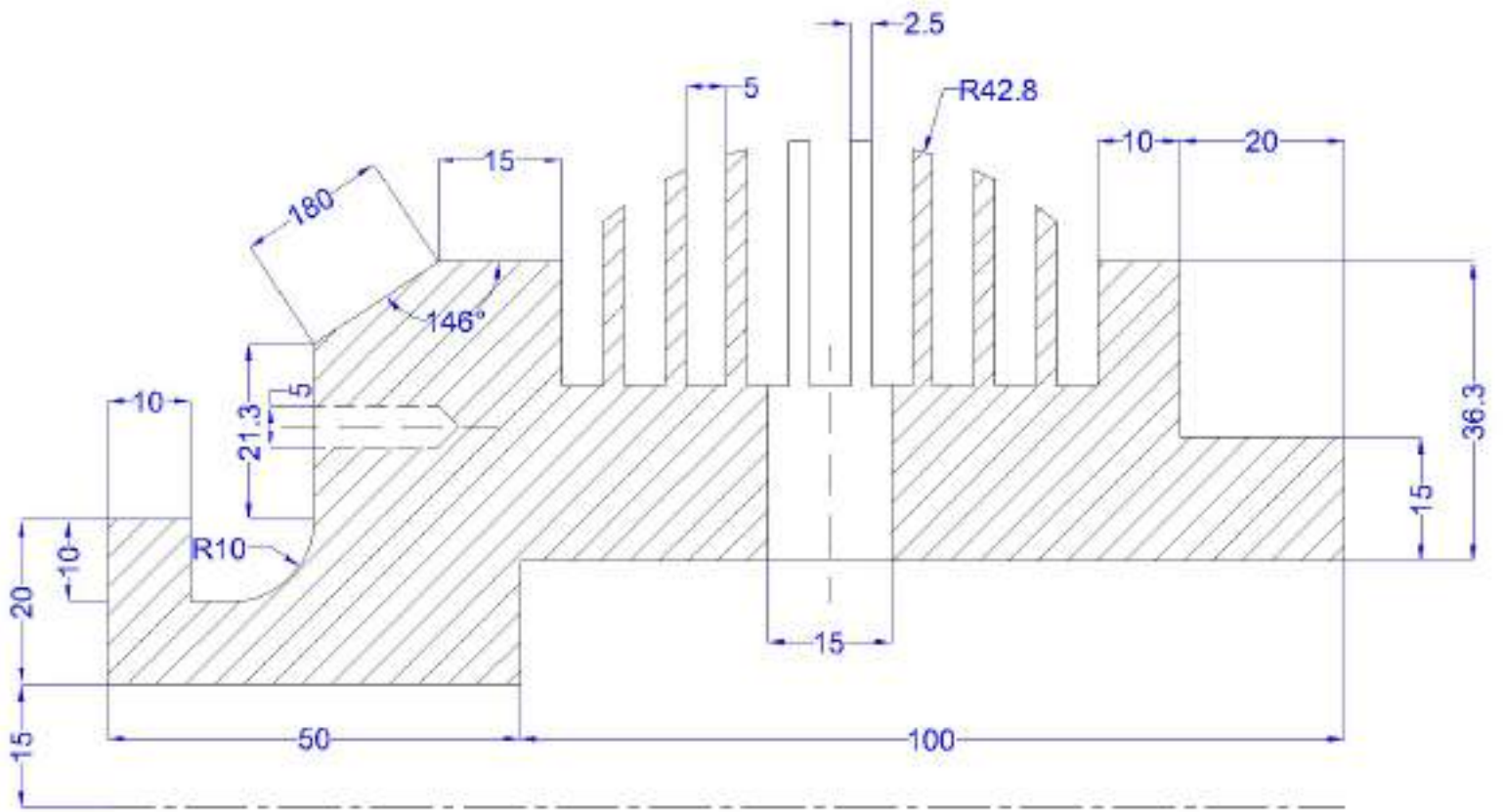


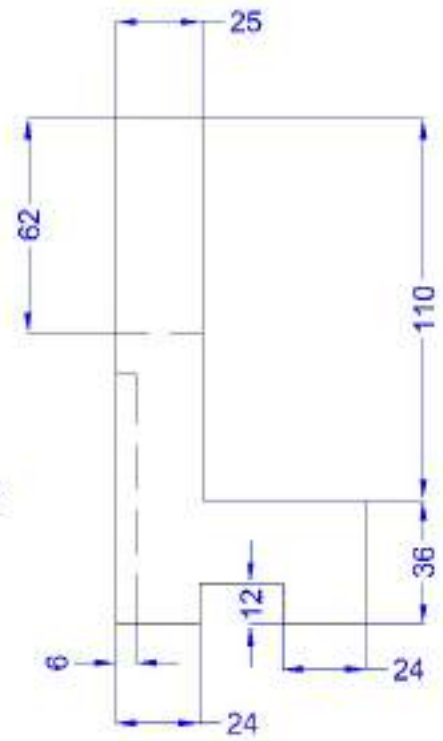
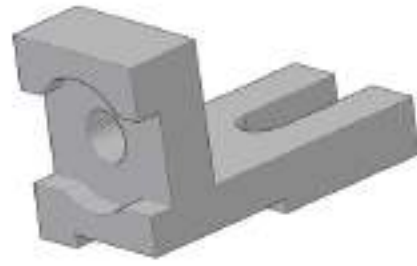
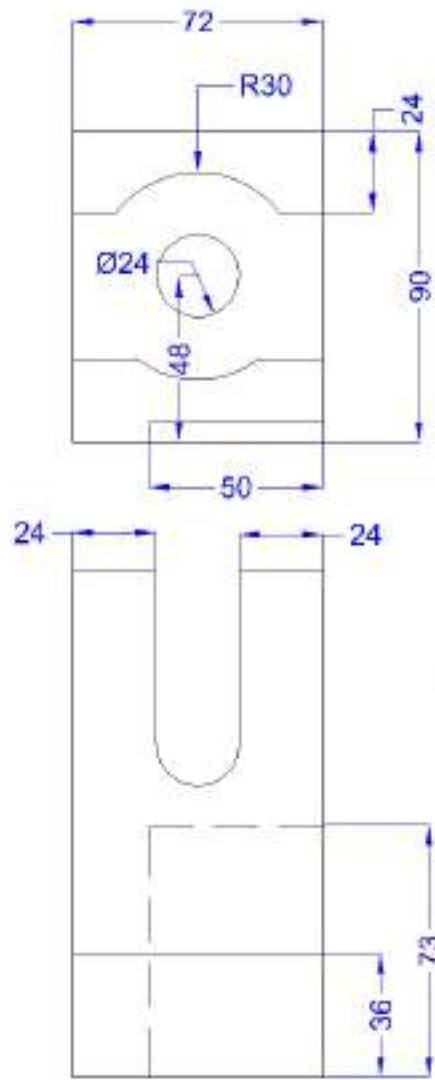


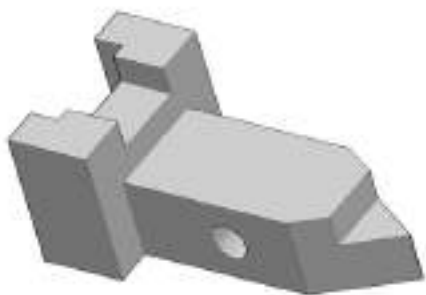
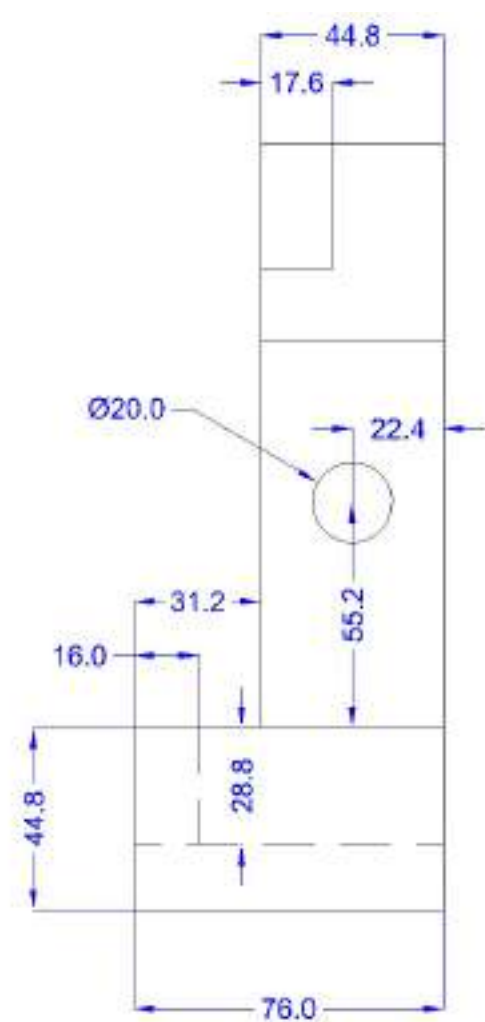
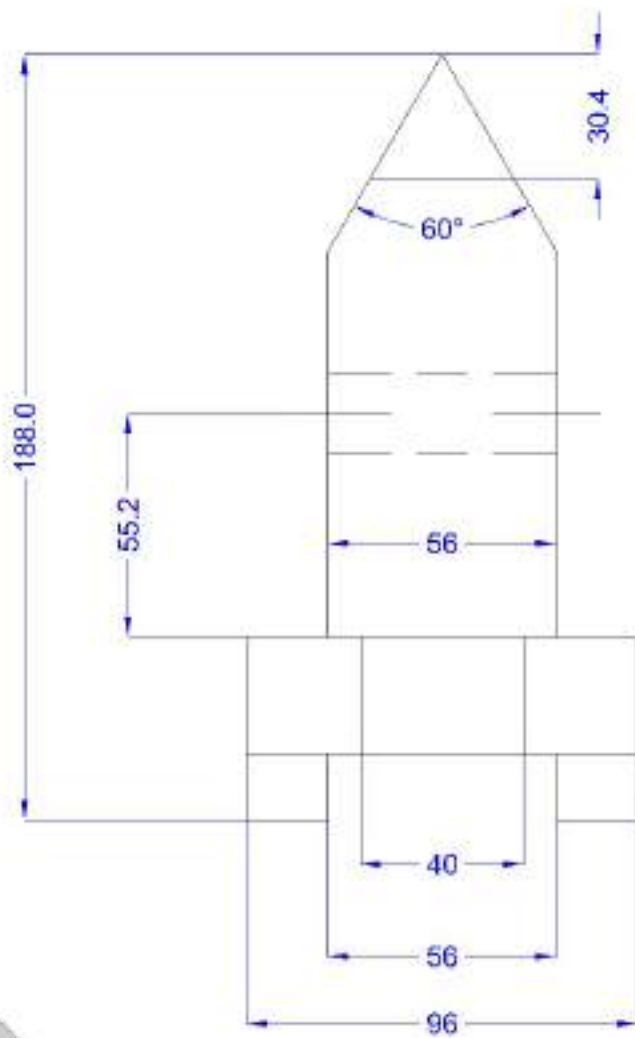


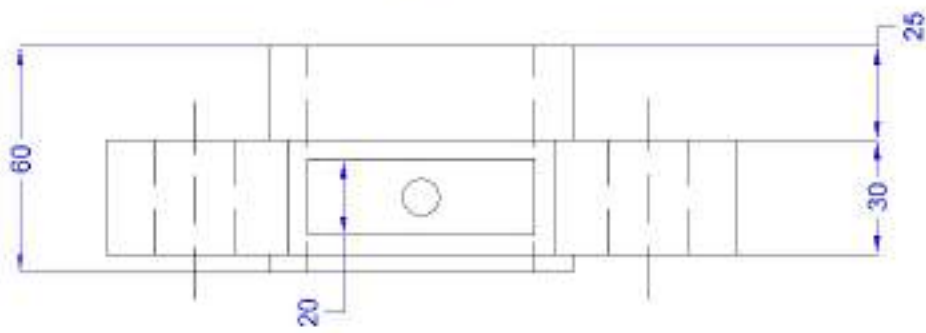
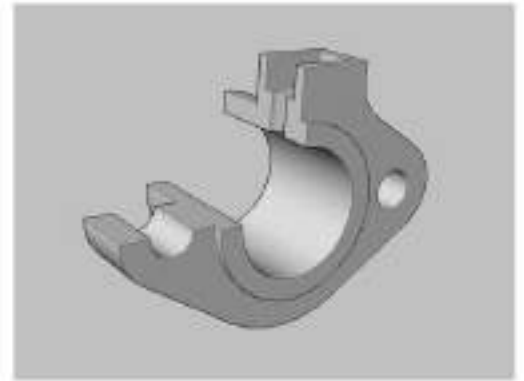
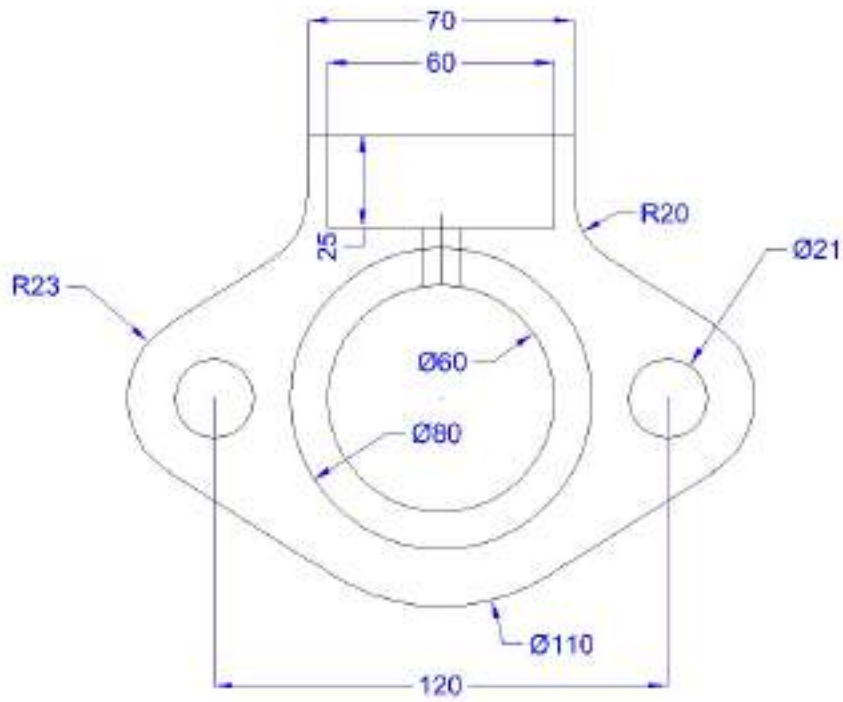




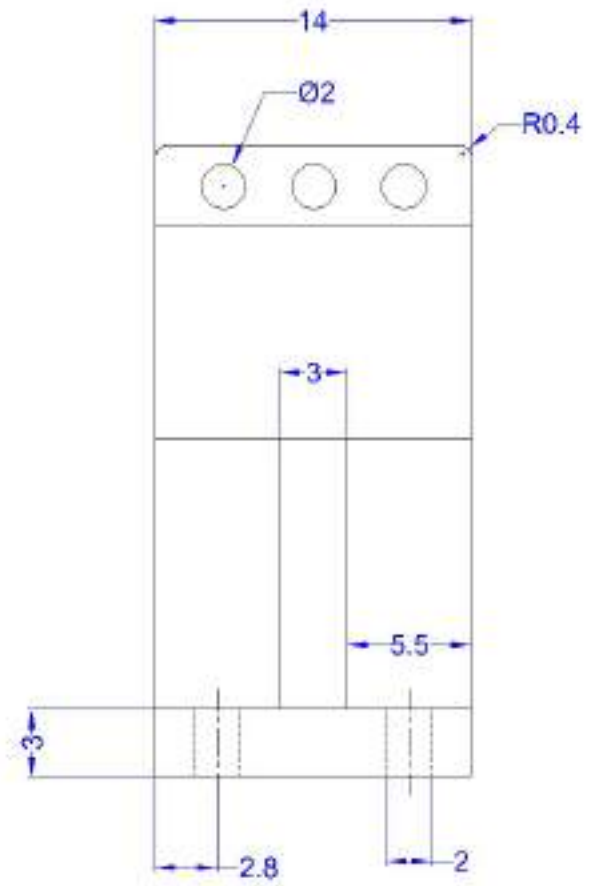
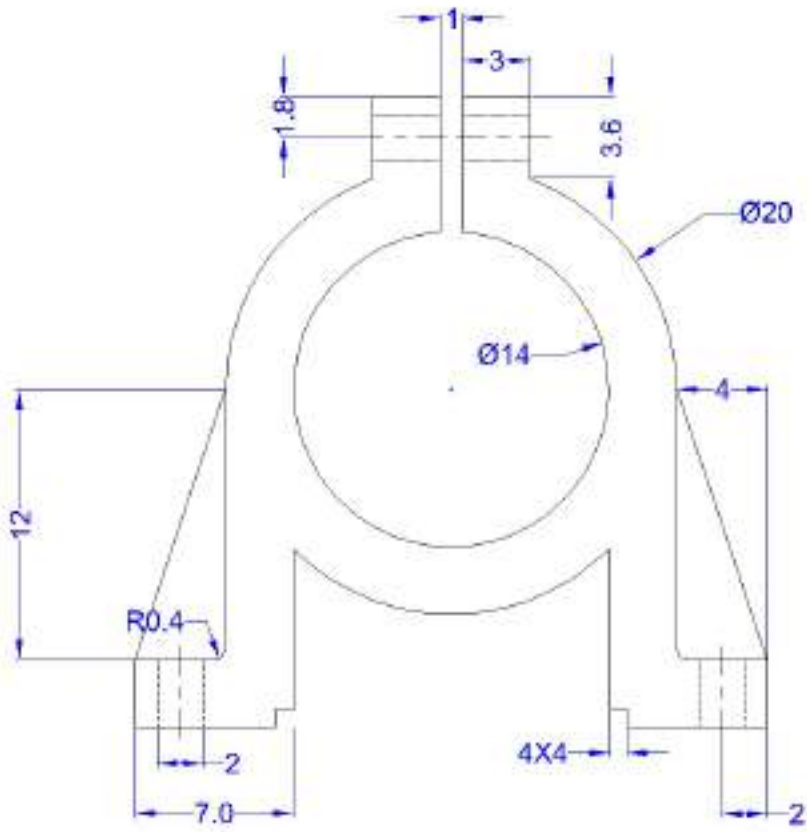
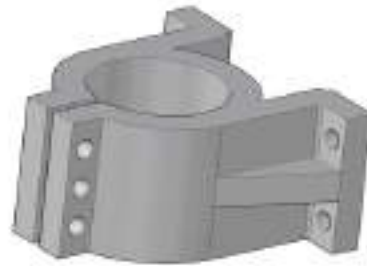


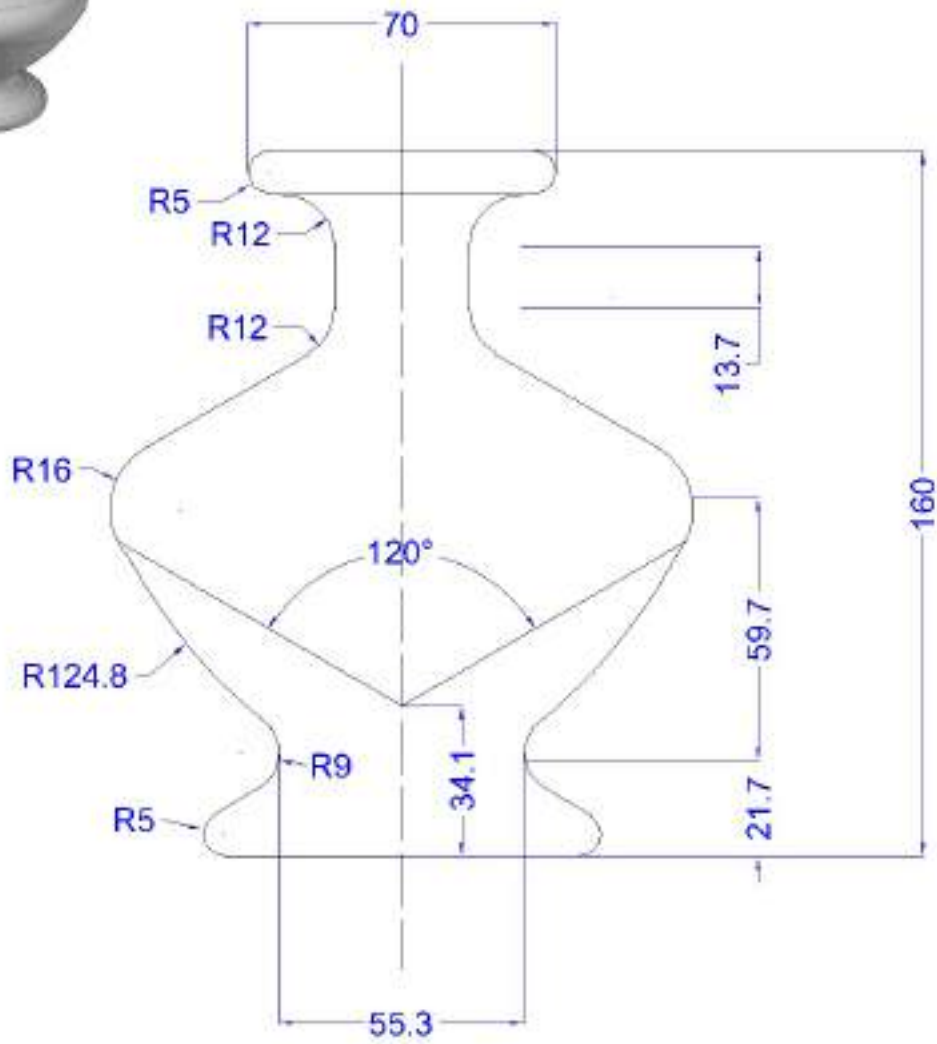


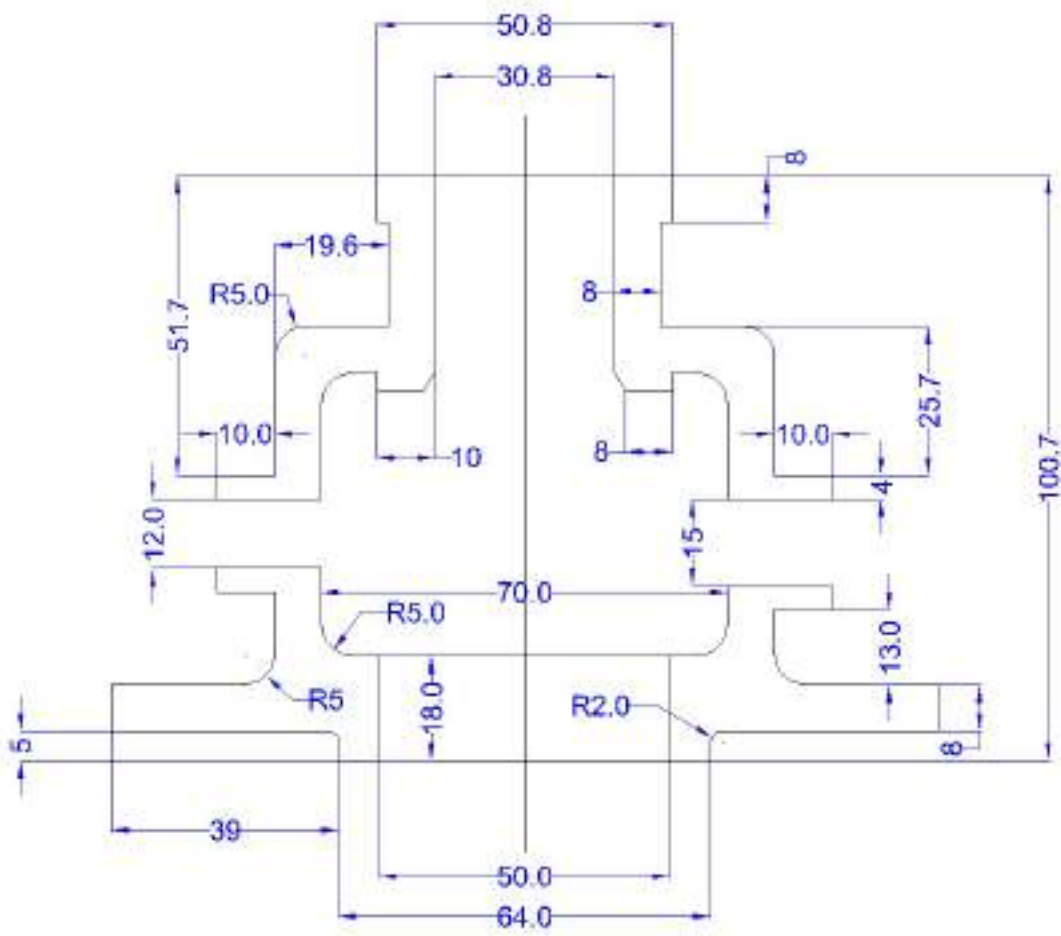




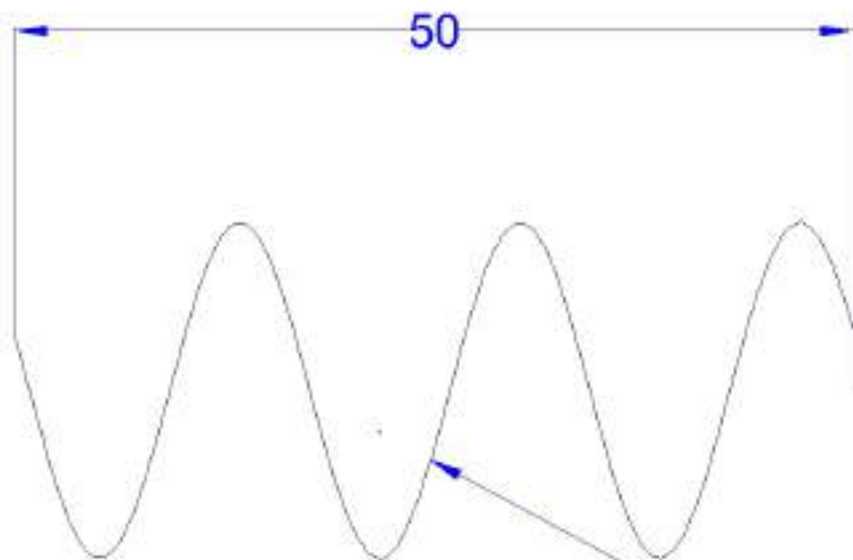







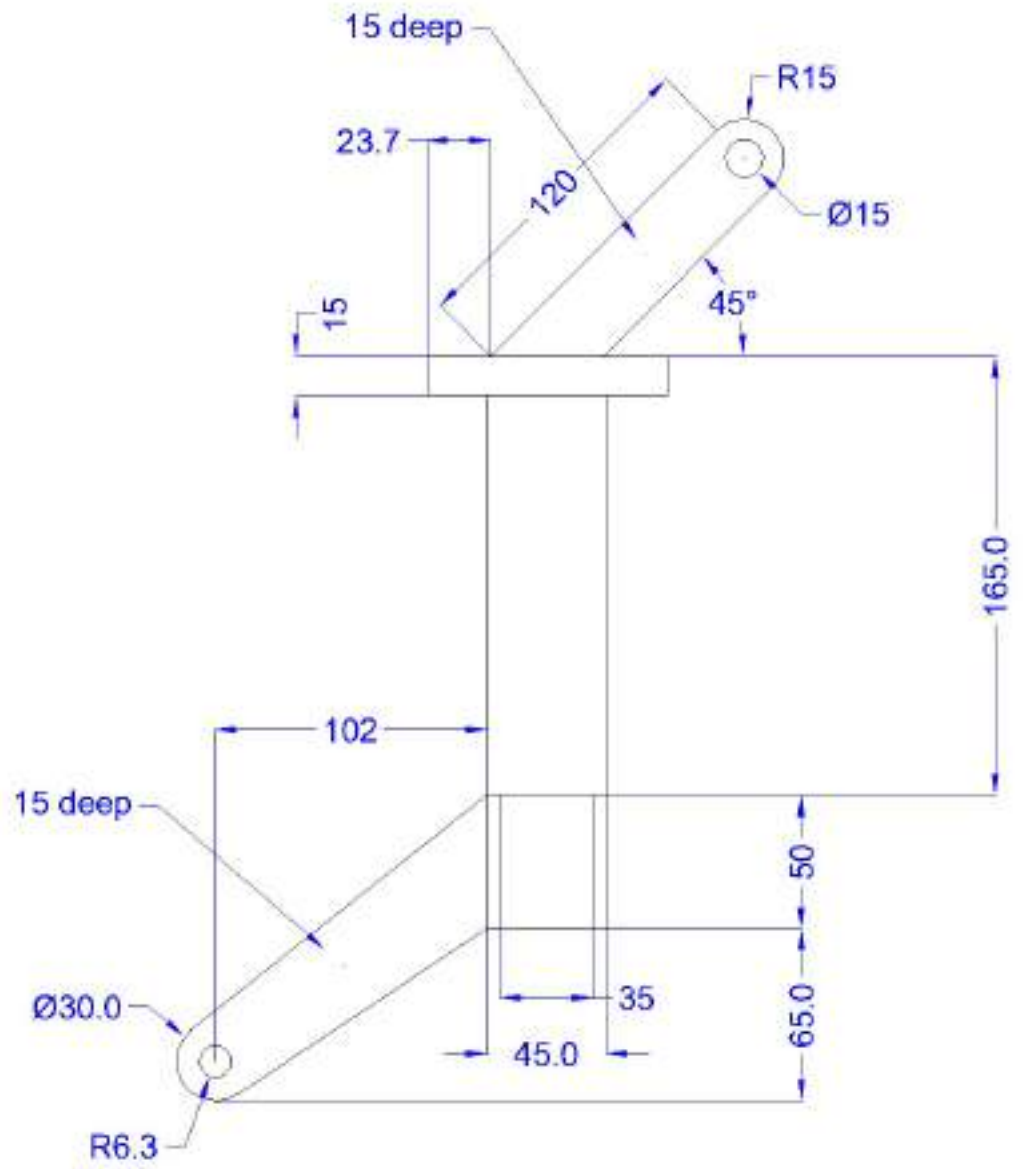


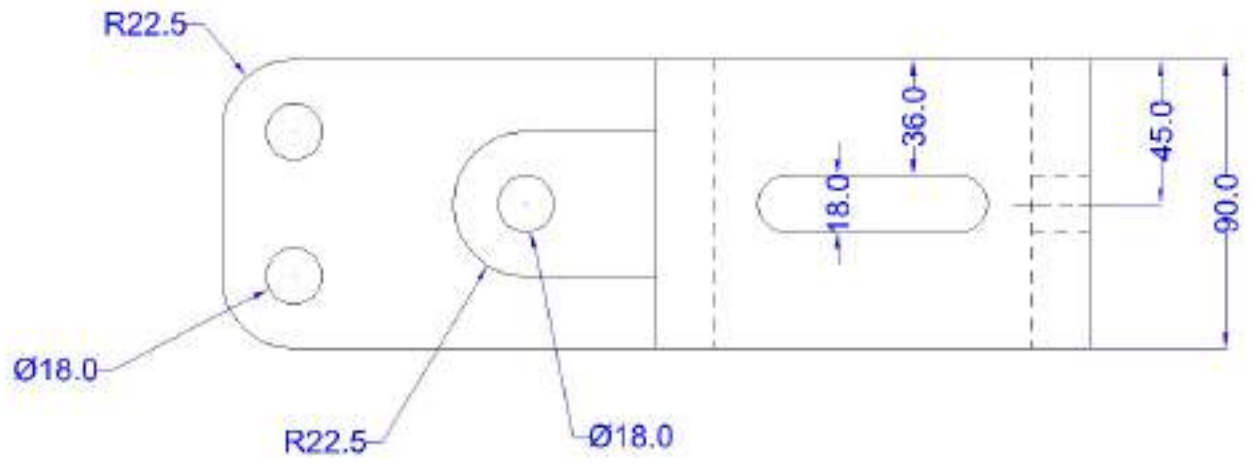
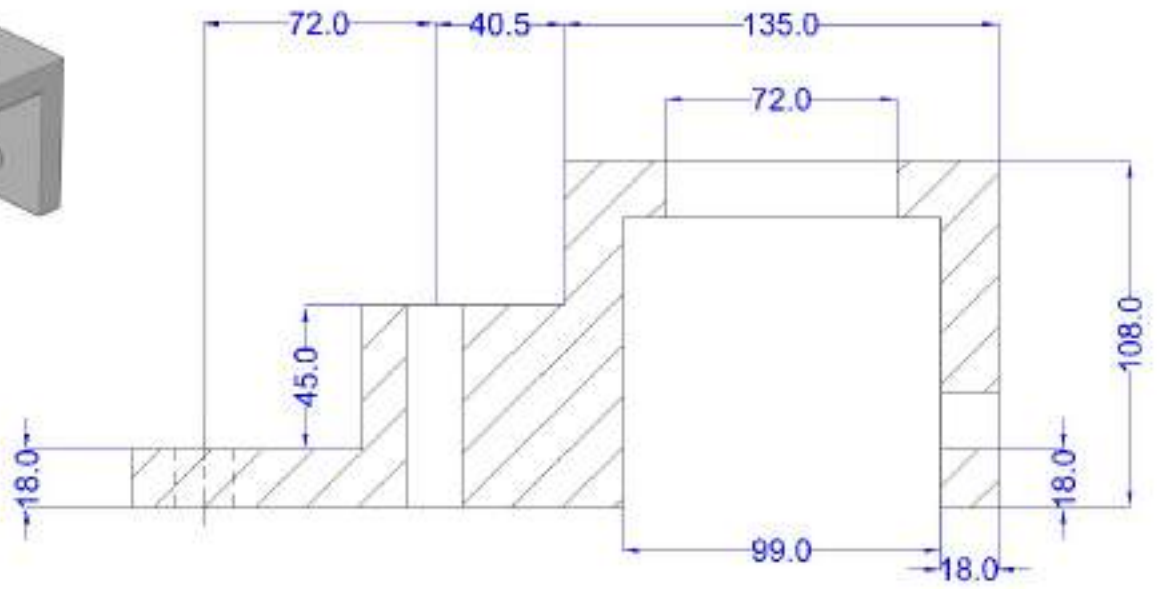
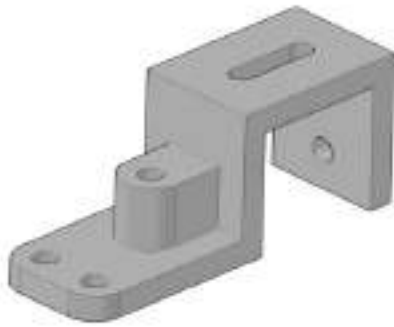
Ø3

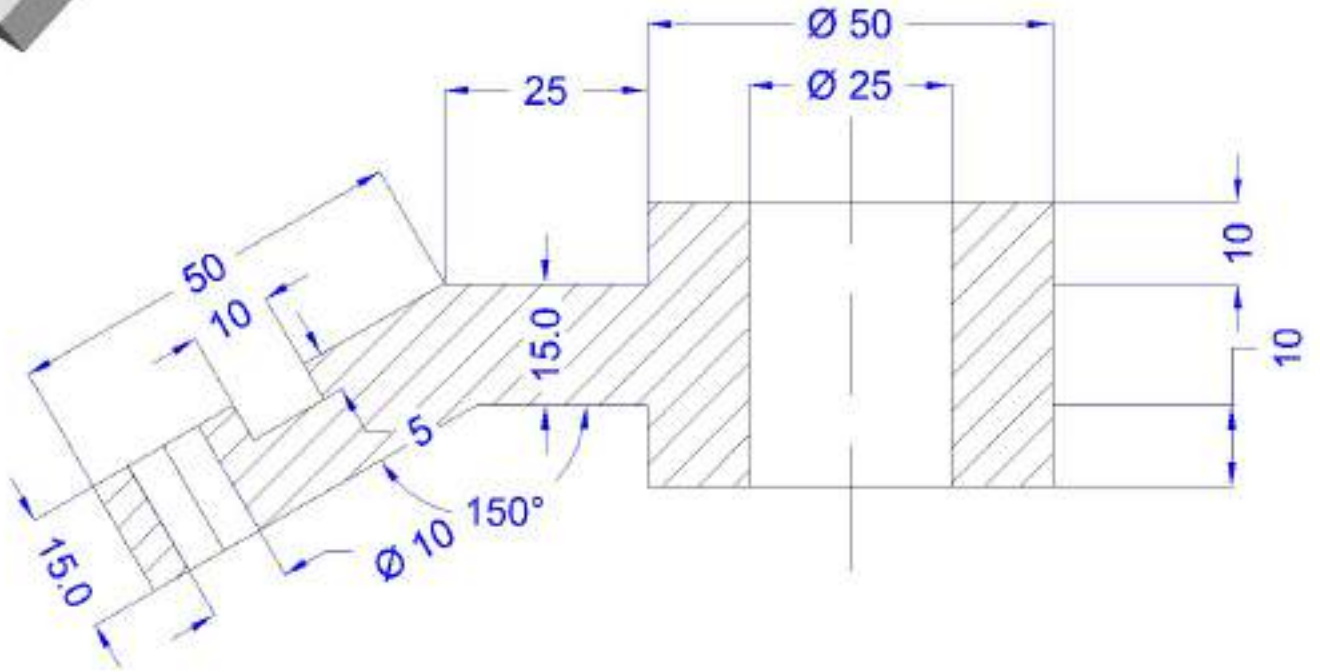


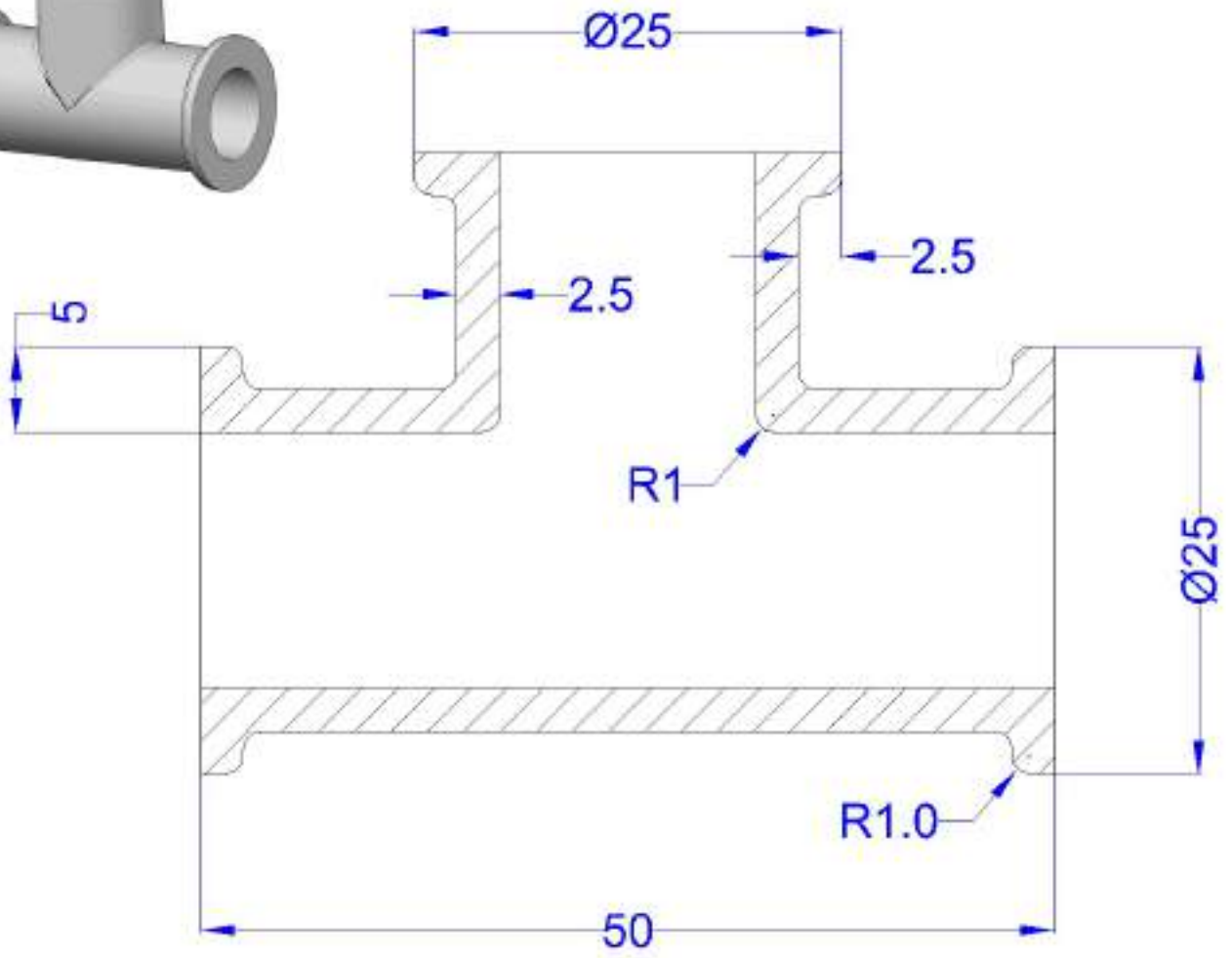
Path



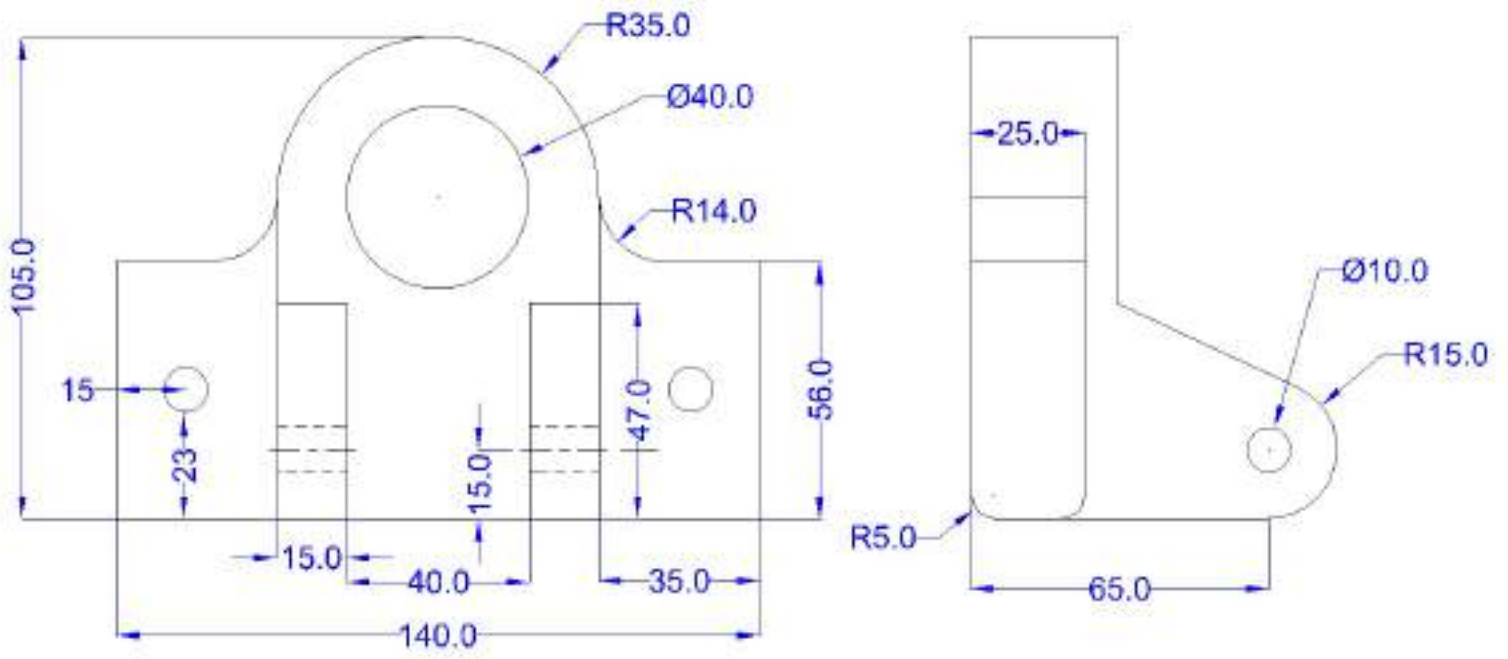


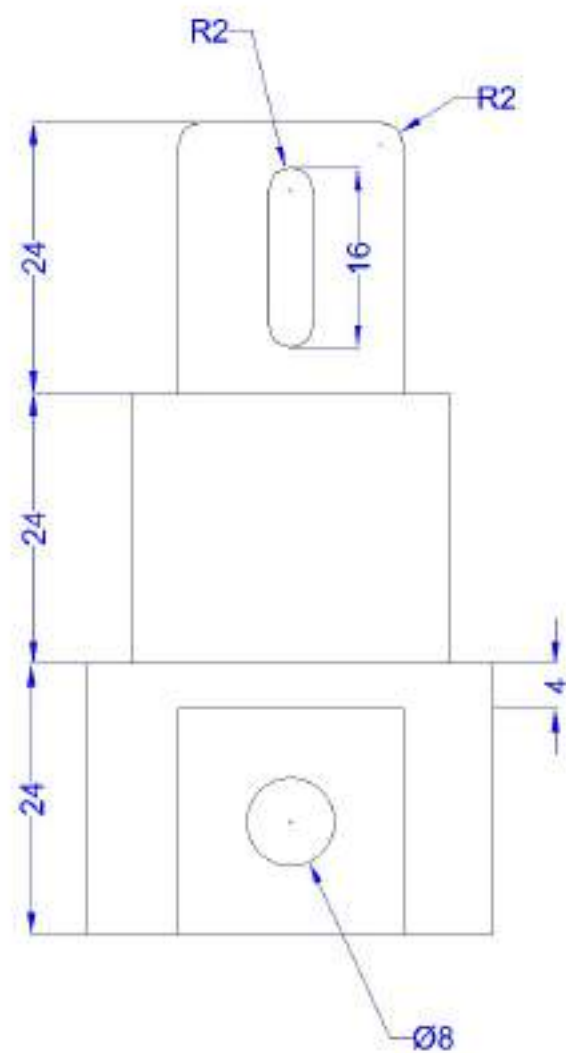
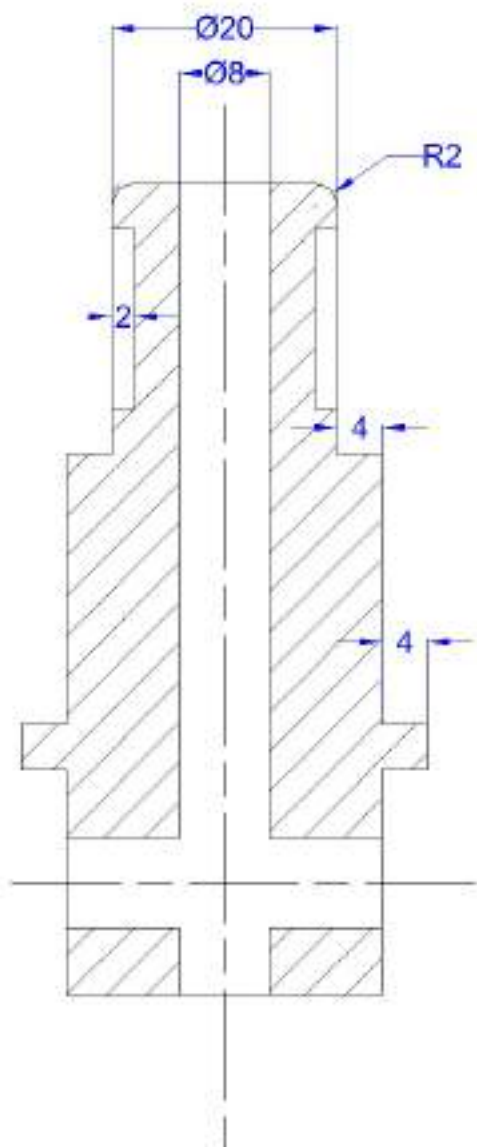
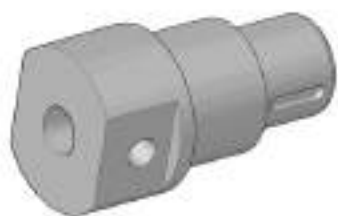


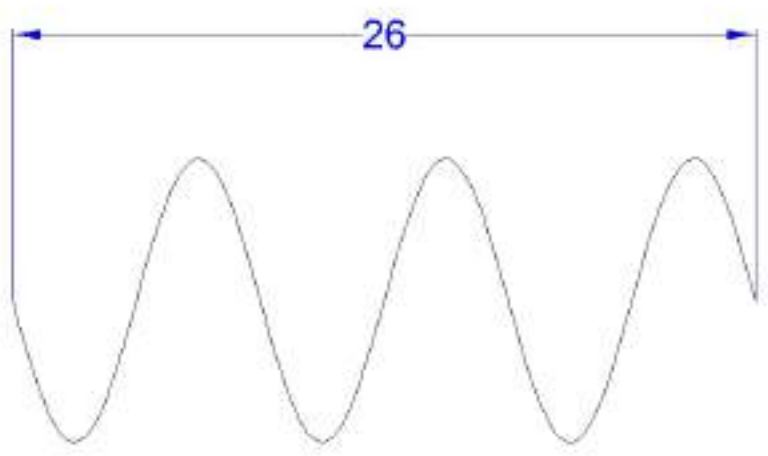
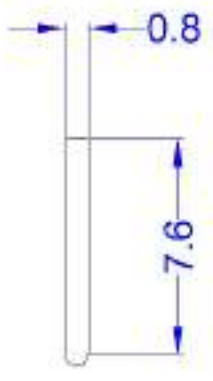
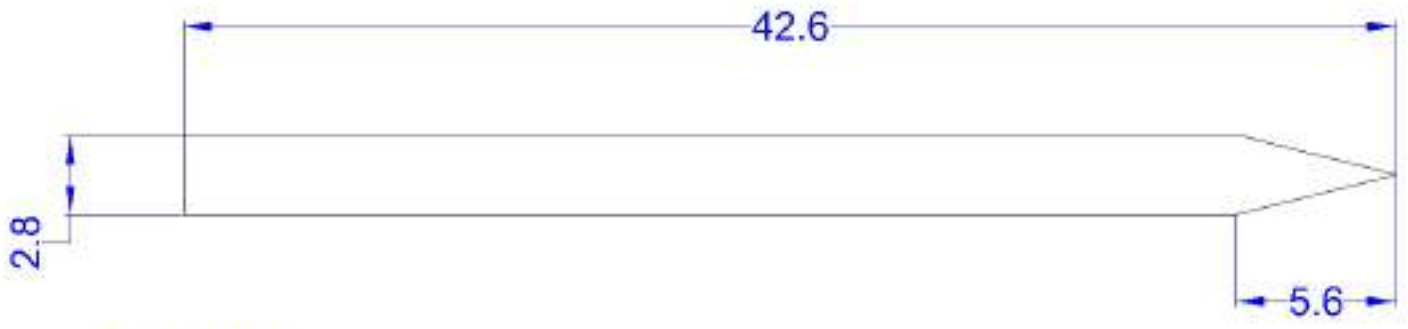


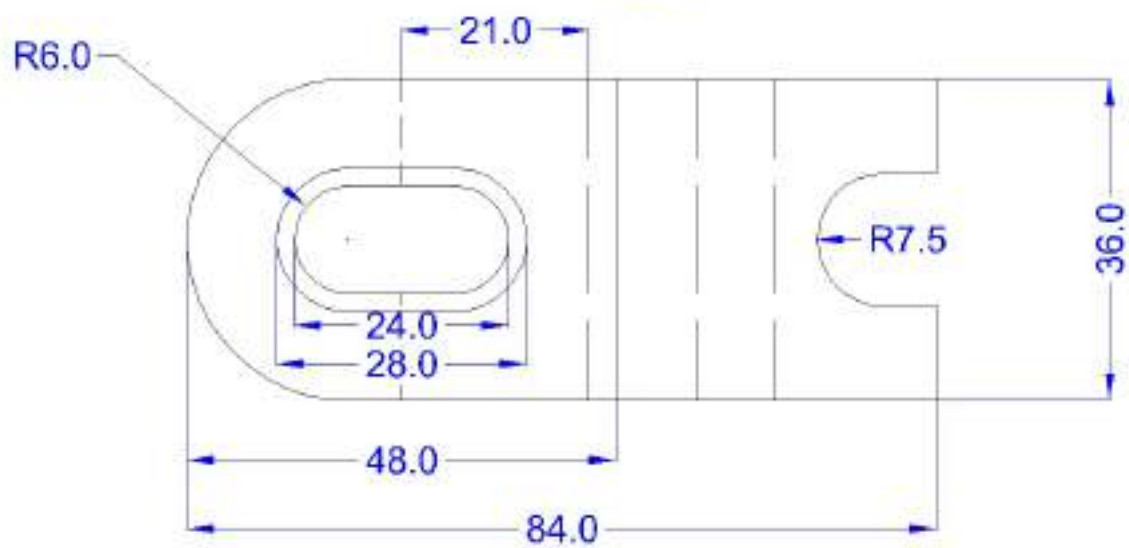
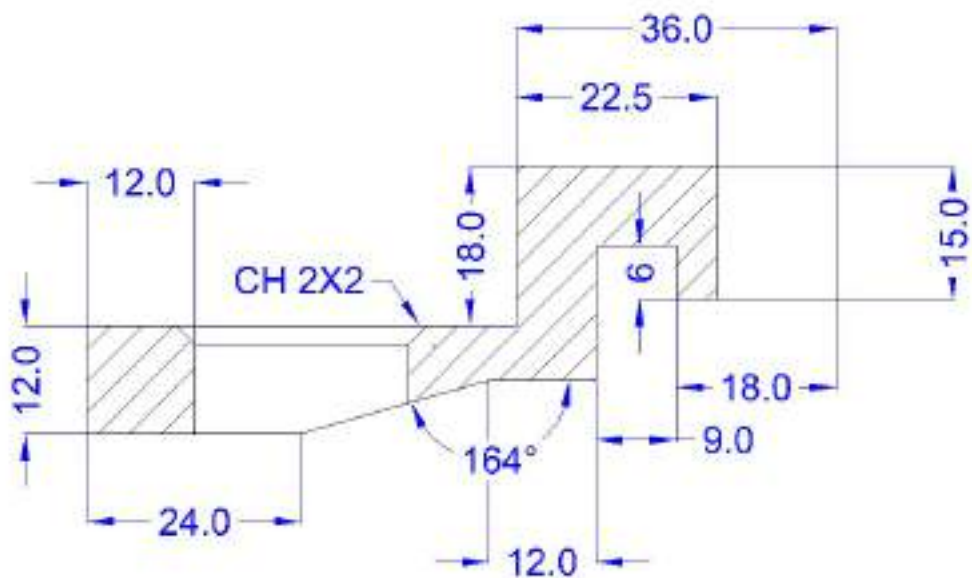


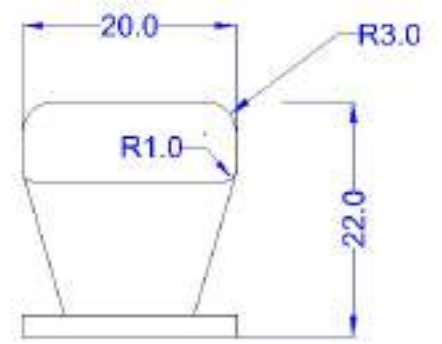
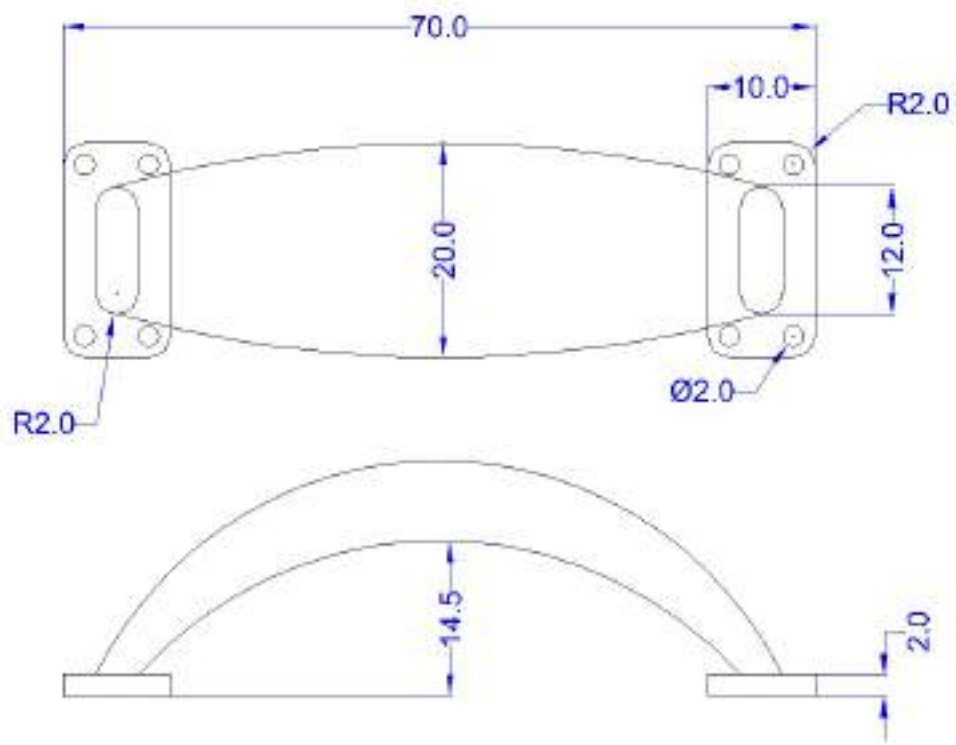


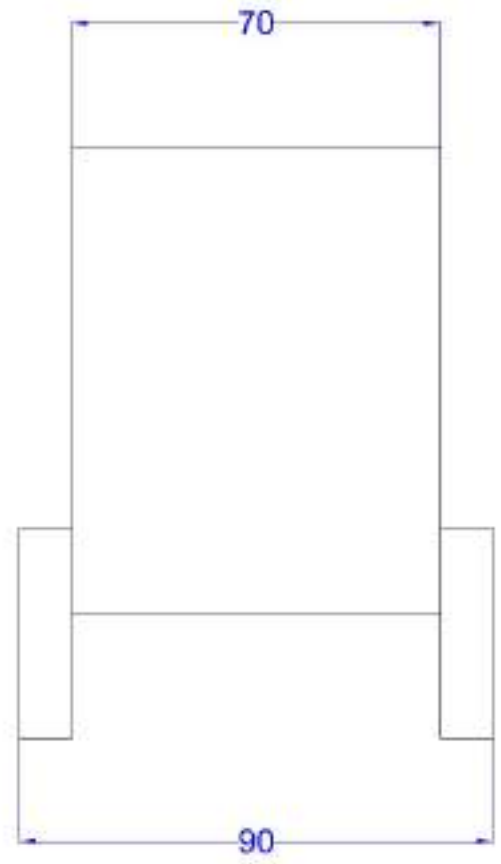
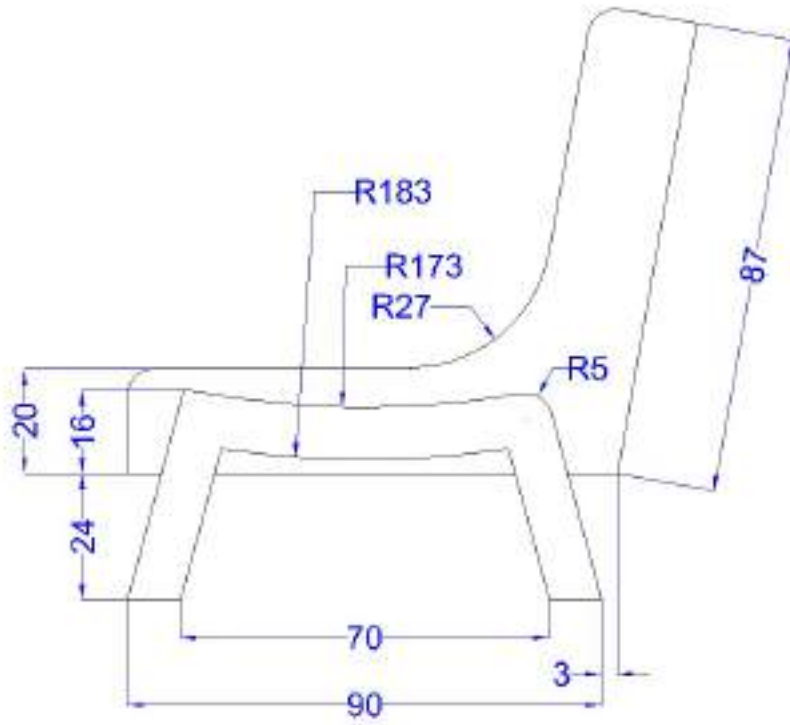


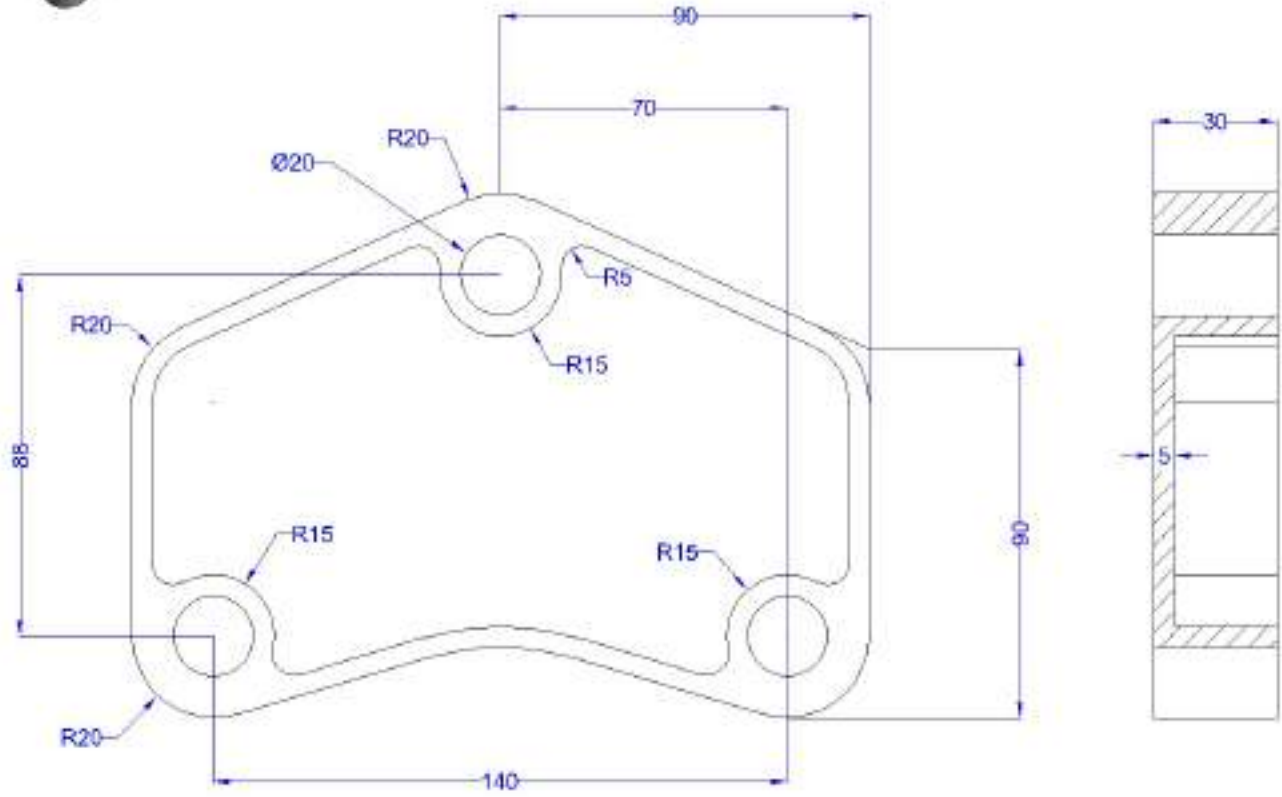


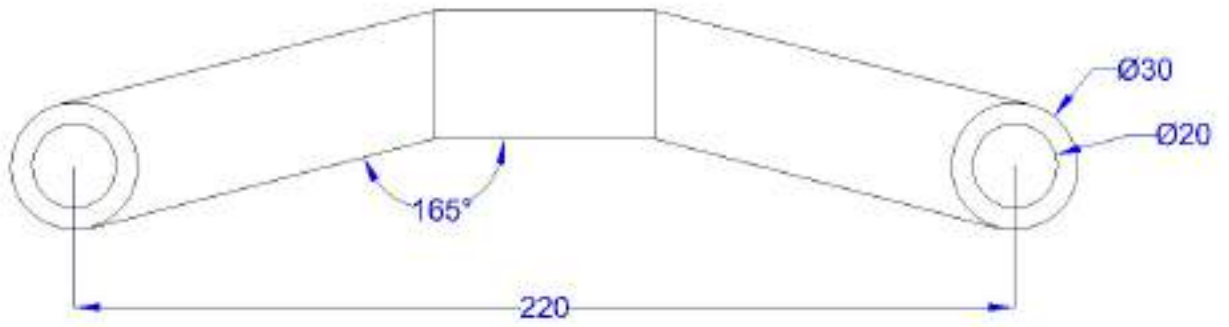
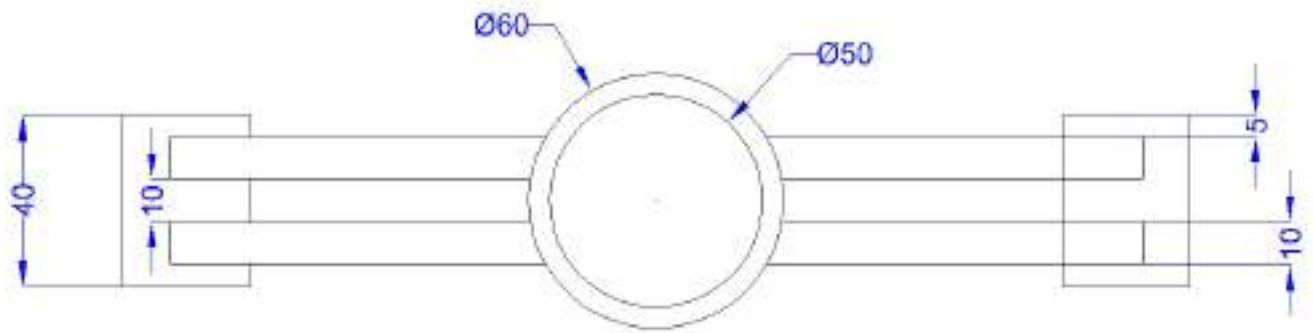




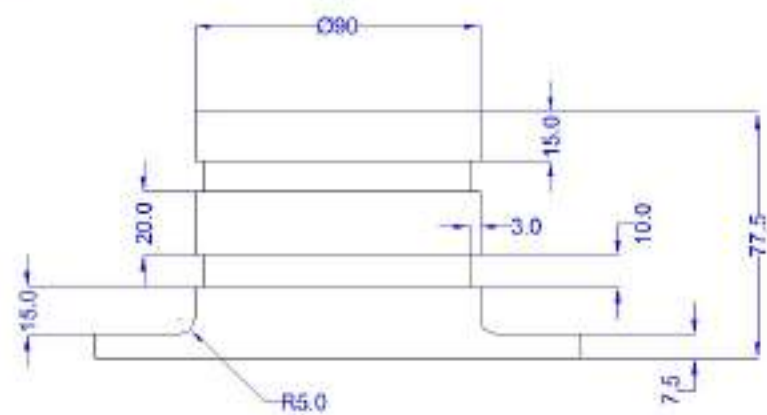
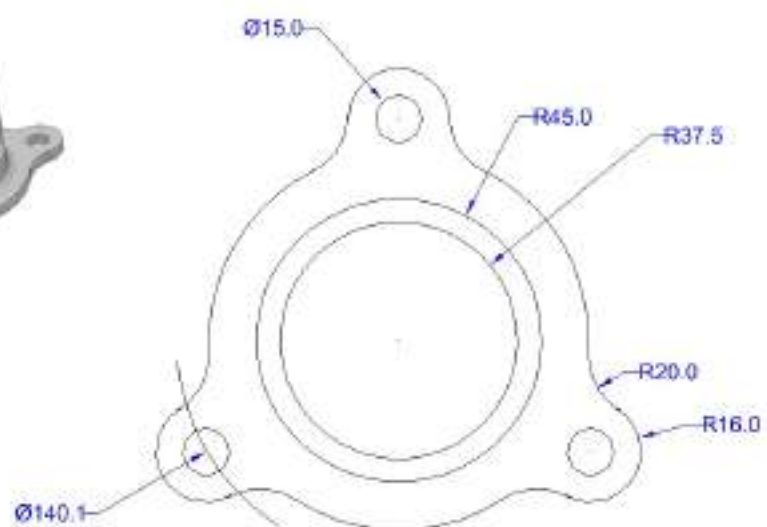


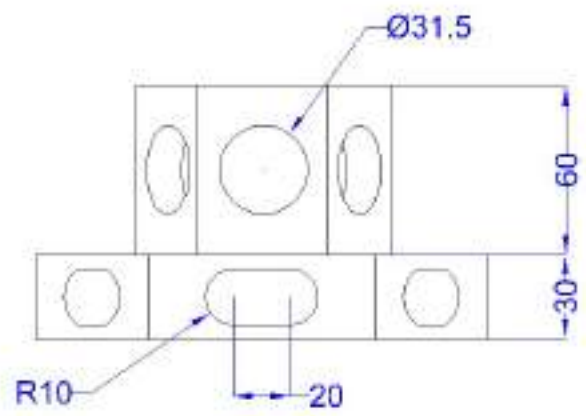
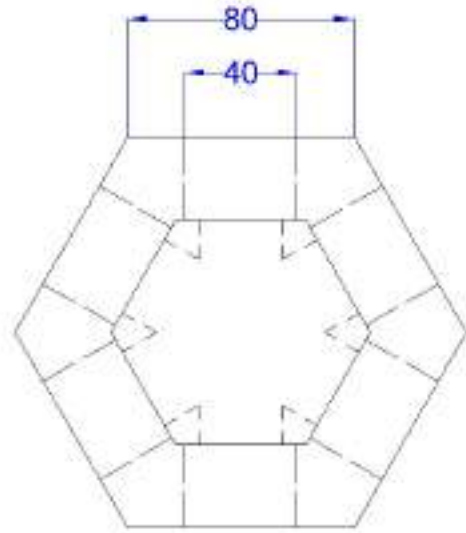


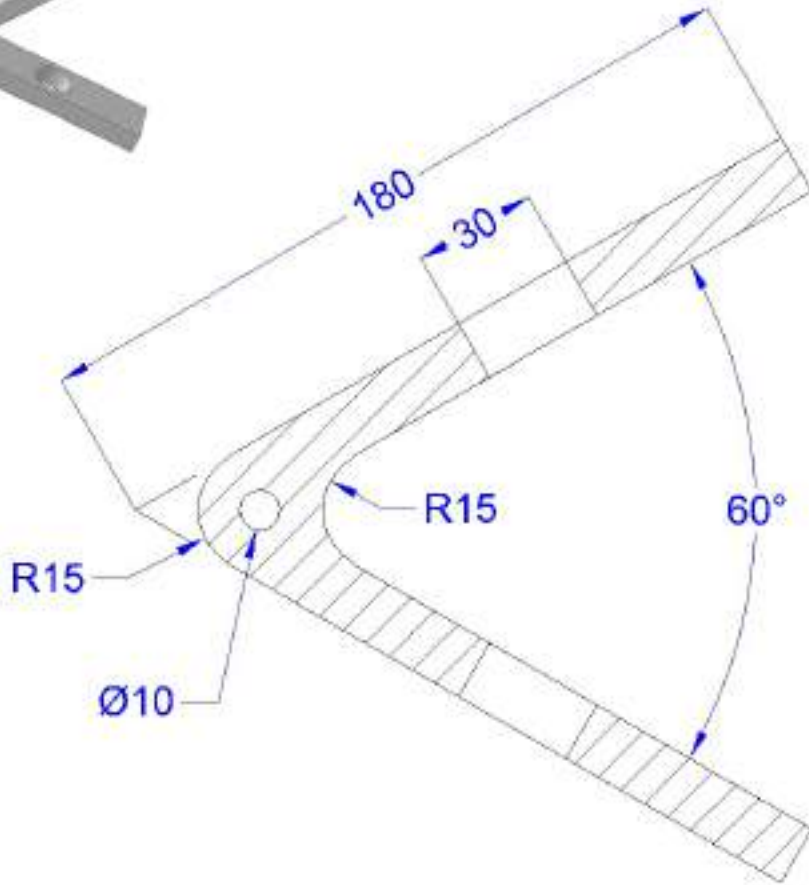


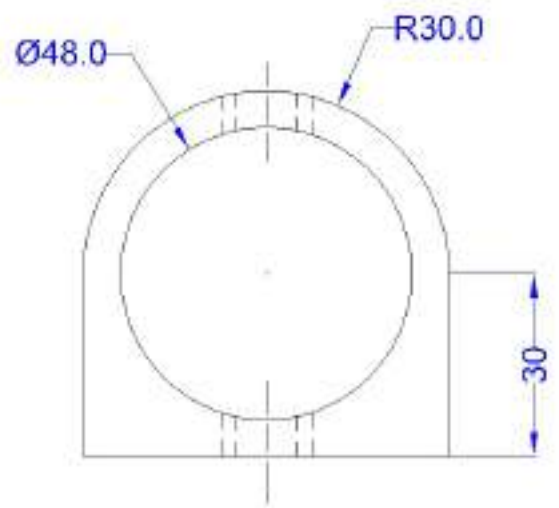
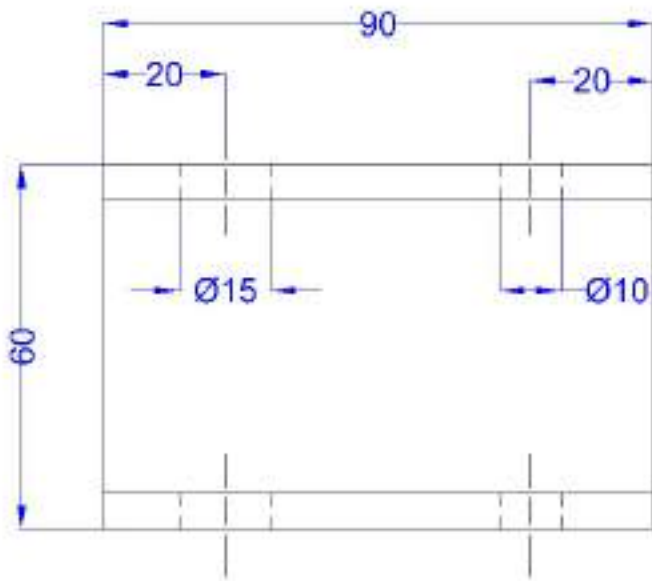


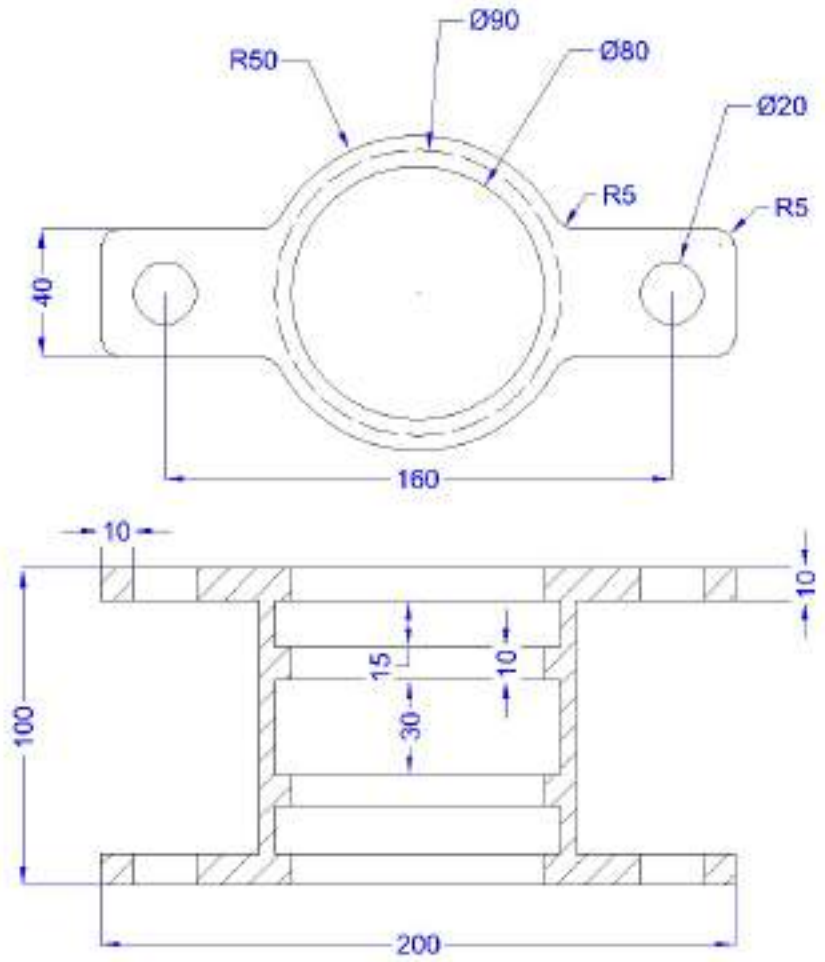


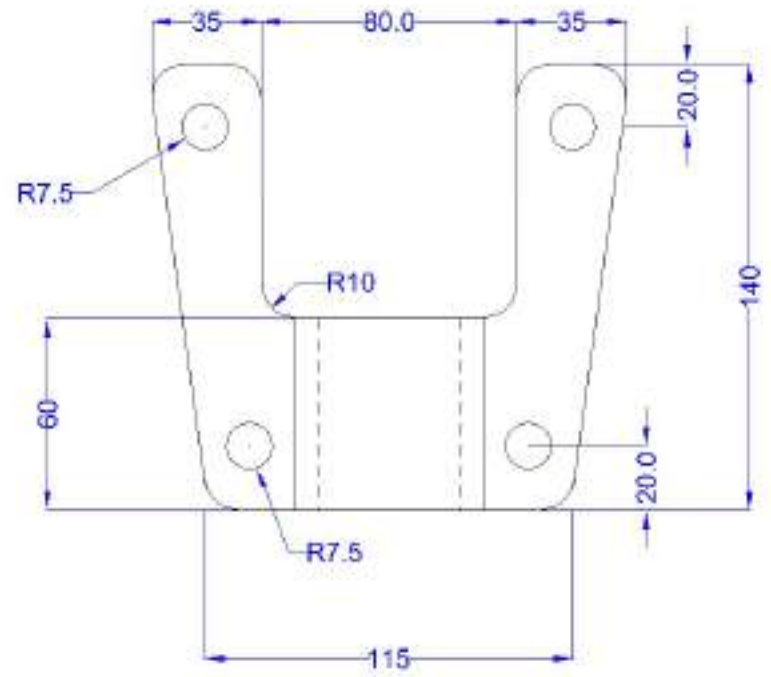
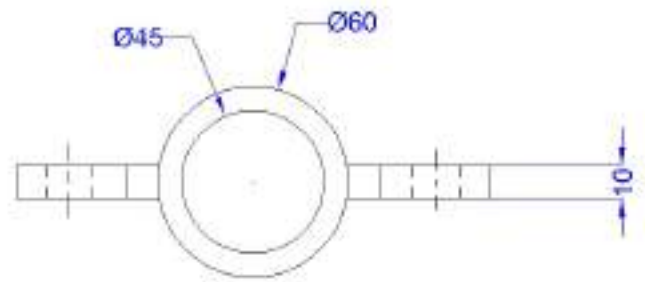


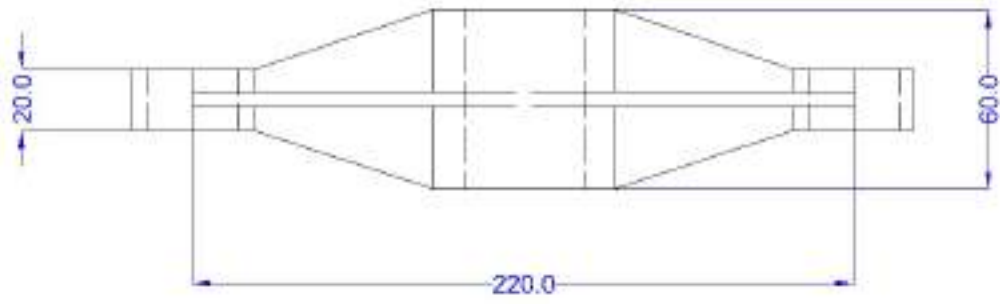
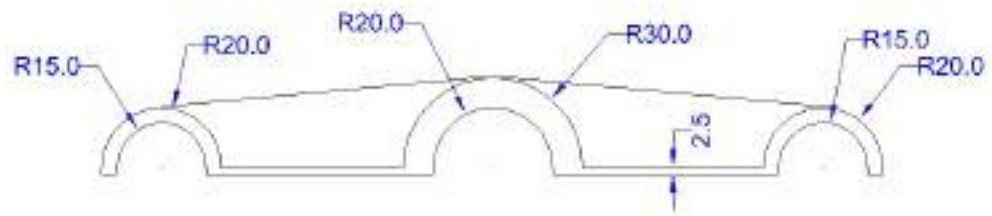


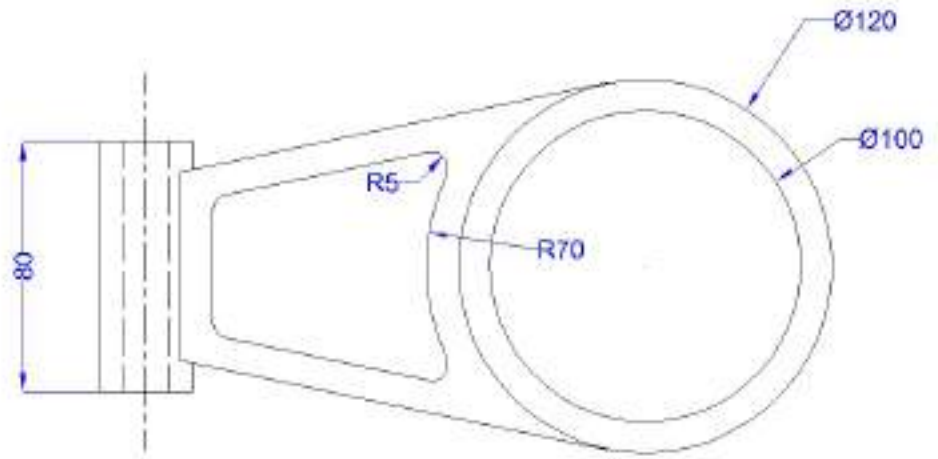
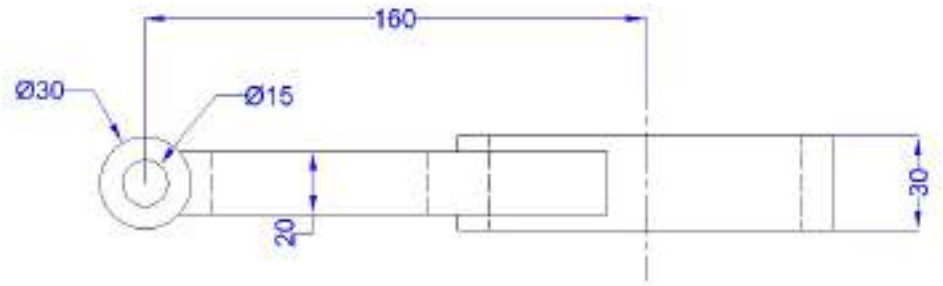




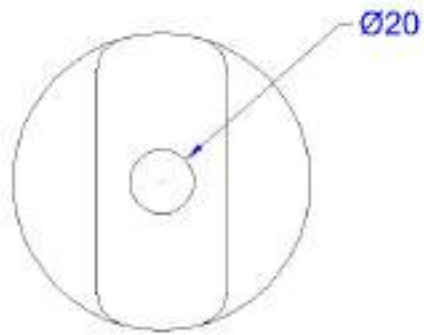
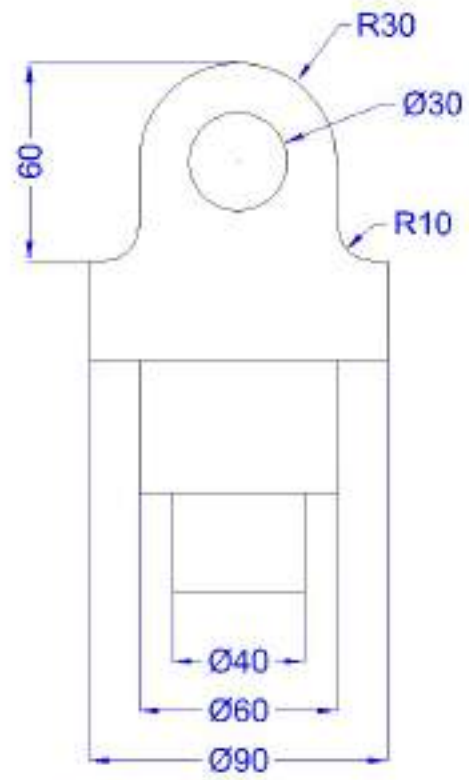
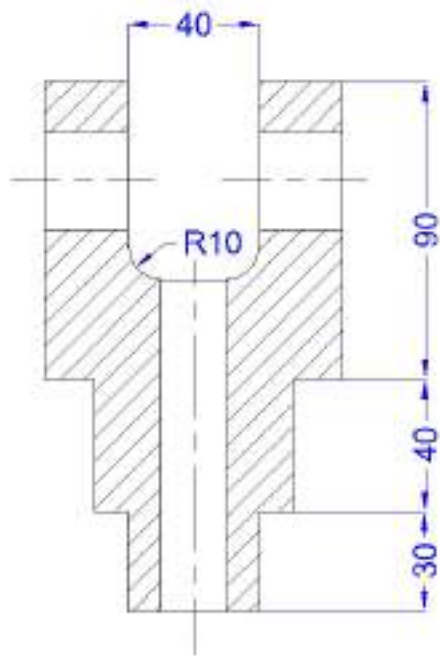


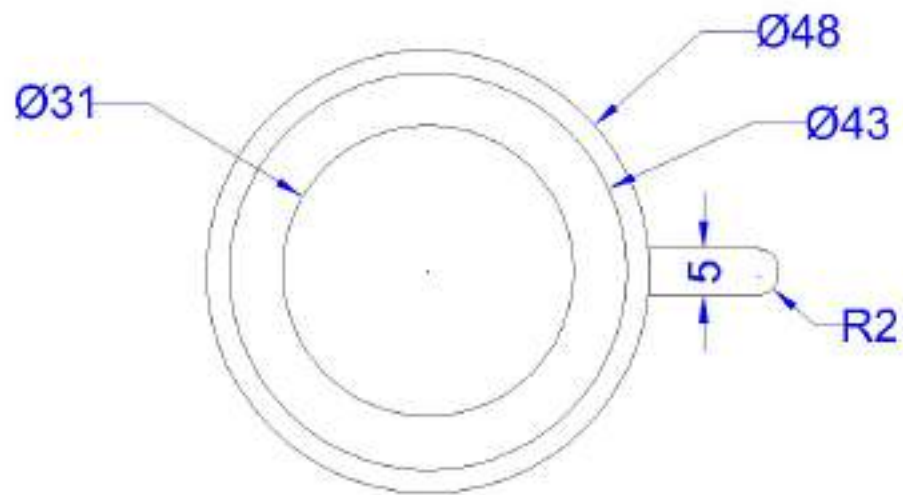
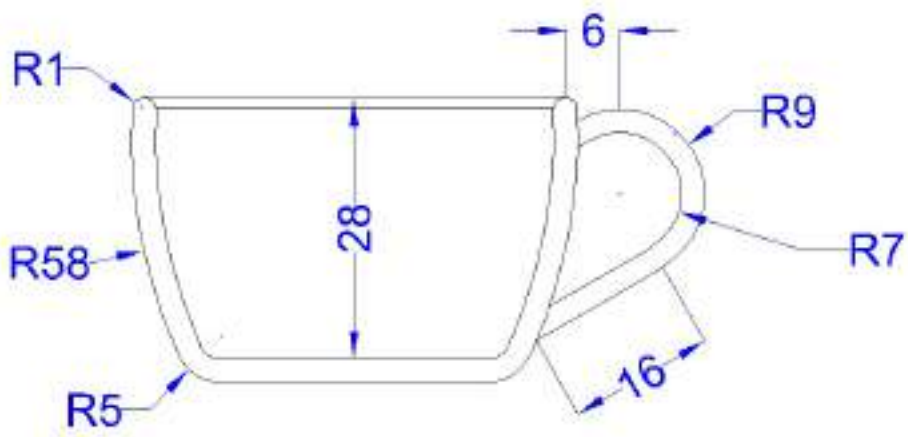


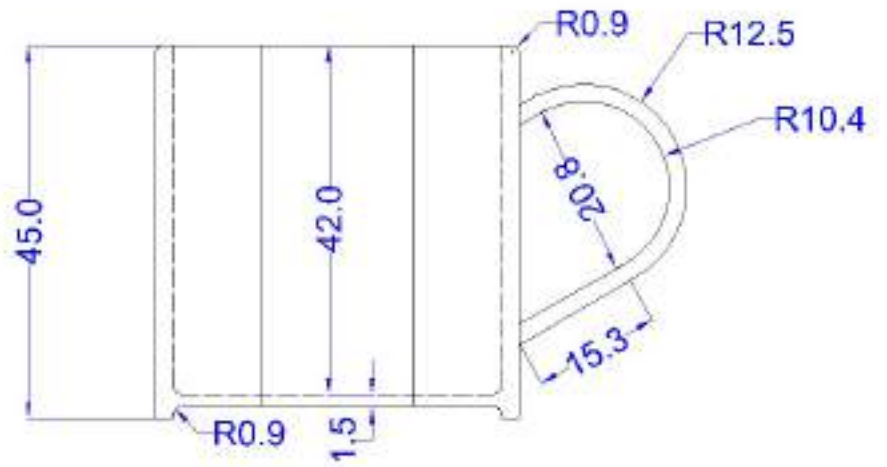
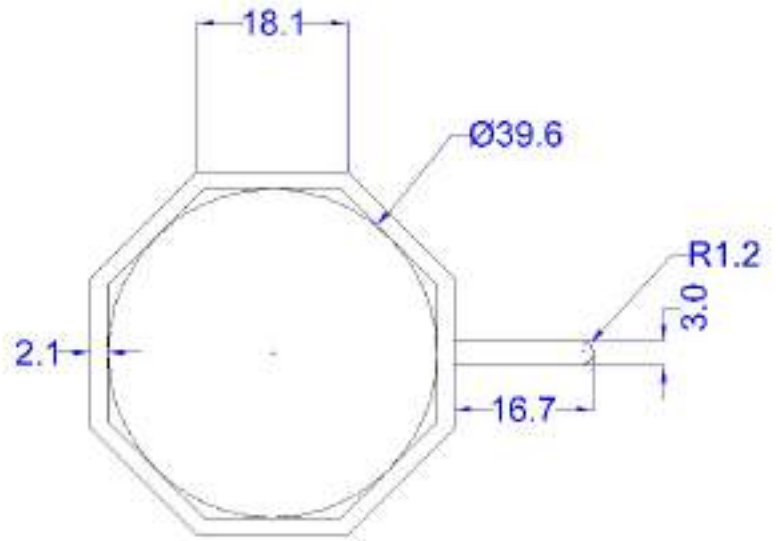


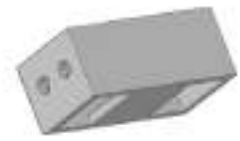
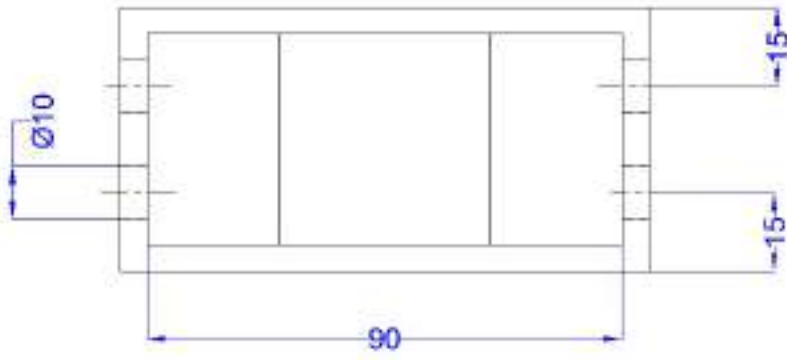
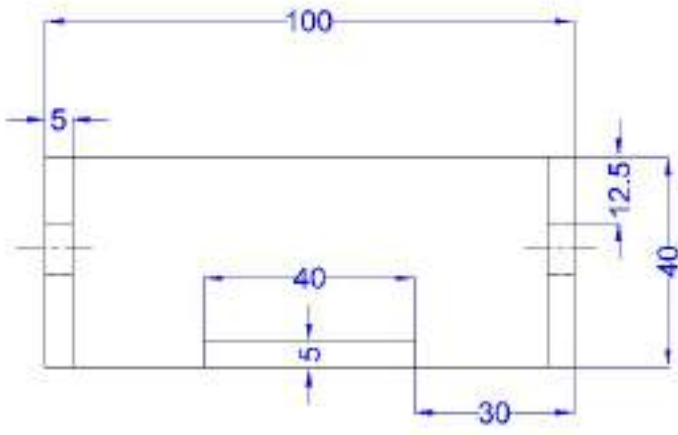












# Thank You!

If you are this point then you most likely successfully completed all exercises in this eBook. We hope you enjoyed practicing with these 100 CAD exercises. Now, with the skills that you have learned, you will be able to tackle real-life CAD problems.

We suggest for you to join other CAD designers on [Grabcad](#) or our website at [CAD Exercises](#). These places will give you the opportunity to see what others are doing in the field and will even give you the ability to download more CAD files. You can use these channels to further improve your skills.

Thanks again, and we wish you nothing less than success!